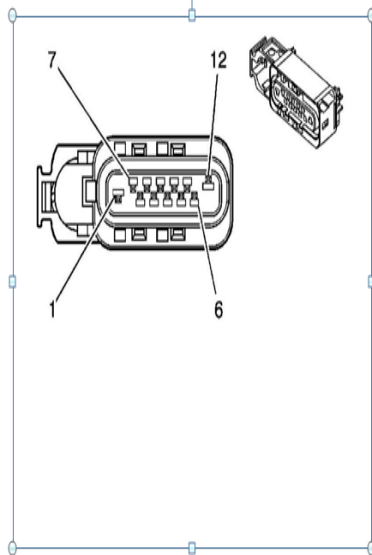


Transmission Range Switch Connector, Wiring Harness Side



- Connector Part Information • 15416722 BLK
- ASM Conn 12 F GT
- | Pin | Wire Color | Circuit No. | Function |
|-----|------------|-------------|-------------------------------------|
| 1 | DK GRN | 1433 | Clutch Start Switch Signal |
| 2-3 | -- | -- | Not Used |
| 4 | YEL | 772 | Transmission Range Switch Signal B |
| 5 | BLK/WHT | 771 | Transmission Range Switch Signal A |
| 6 | GRY | 773 | Transmission Range Switch Signal C |
| 7 | BLK/WHT | 451 | Ground |
| 8 | WHT | 776 | Transmission Range Switch Signal P |
| 9 | LT GRN | 275 | Park Neutral Position Switch Signal |
| 10 | GRY | 1524 | Back-Up Lamp Supply Voltage |
| 11 | PNK | 839 | Ignition 1 Voltage |
| 12 | PPL | 639 | Ignition 1 Voltage |