

4

3

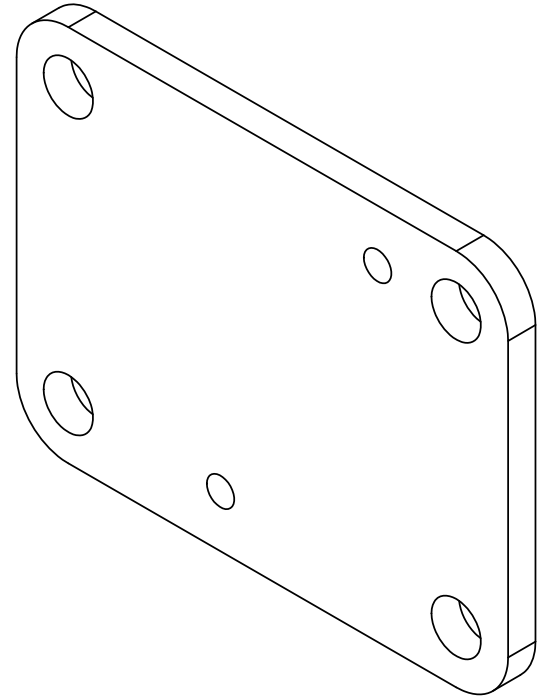
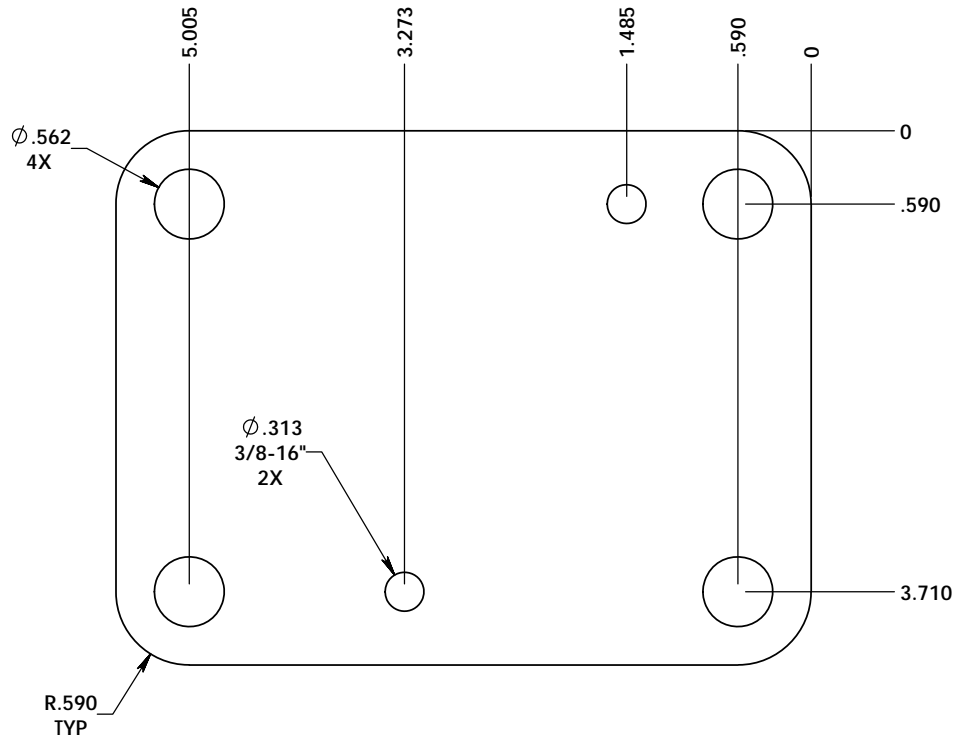
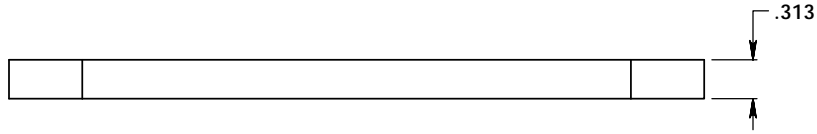


CAGE CODE	DWG NO	LS_Plate RH	SH	REV
			1	1

1

REVISION HISTORY

REV	DESCRIPTION	DATE	APPROVED



4

3



2

1

B

A

B

A