

## Universal Coolant Overflow Kit

This Universal Coolant Overflow Kit includes everything you need to replace your old or broken coolant overflow system. It is also a great addition for vehicles that were not originally equipped with a coolant overflow tank.

The tank holds over 2 quarts of coolant and measures 6 inches wide by 4-1/2 inches deep by 7-1/2 inches tall. Fluid levels can easily be read without removing the cap.

The kit includes:

- Coolant overflow tank with steel wire mounting bracket
- Twist-on style cap
- 4 Feet of hose
- Attaching hardware
- Easy-to-follow instructions



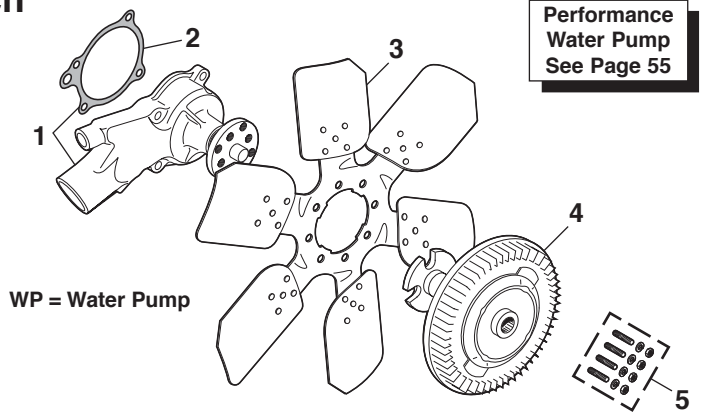
**36-4086**

PART	DESCRIPTION AND APPLICATION	REQD	LIST	SELL
36-4086	UNIVERSAL COOLANT OVERFLOW KIT	(1)	18.69	14.95

## Water Pumps, Fan Blade and Fan Clutch

Chevrolet Truck	1967-72	GMC Truck	1967-72
Chevrolet Blazer	1969-72	GMC Jimmy	1970-72
Chevrolet Suburban	1967-72	GMC Suburban	1967-72

PART	ILL#	DESCRIPTION AND APPLICATION	REQD	LIST	SELL
32-2620	(1)	WATER PUMP 250 CHEVY GMC 67-72 (1)	(1)	37.44	29.95
32-2625		WATER PUMP 292 CHEVY GMC 67-72 (1)	(1)	74.94	59.95
32-2630		WATER PUMP 283 307 327 350 CHEVY GMC 67-72 (1)	(1)	62.44	49.95
32-2635		WATER PUMP 396 402 CHEVY GMC 68-72 (1)	(1)	112.44	89.95
30-4320	(2)	GASKET 250 CHEVY GMC 67-72 (1)	(1)	2.44	1.95
30-4321		GASKET 292 CHEVY GMC 67-72 (1)	(1)	2.44	1.95
30-4322		GASKET 283-350 CHEVY GMC 67-72 (2)	(2)	2.44	1.95
30-4324		GASKET 396 402 CHEVY GMC 68-72 (2)	(2)	2.44	1.95
32-2021	(3)	FAN-6 BLADE 18" 250 292 CHEVY GMC 69-72 (1)	(1)	74.94	59.95
32-2021		FAN-6 BLADE 18" 307 327 CHEVY GMC 67-72 (1)	(1)	74.94	59.95
32-2127	(4)	FAN CLUTCH 250 CHEVY GMC 69-72 (1)	(1)	62.44	49.95
32-2127		FAN CLUTCH 283-350 CHEVY GMC 67-72 (1)	(1)	62.44	49.95
32-2128		FAN CLUTCH 396 402 CHEVY GMC 68-72 (1)	(1)	62.44	49.95
30-1100	(5)	FAN CLUTCH MOUNTING KIT-TO WP CHEVY GMC 67-72 (1)	(1)	6.19	4.95



WP = Water Pump

**Loctite Anti-Seize Stick**  
See Page 54

**Heater Hose Fittings**  
See Page 65

## Water Outlets and Thermostat

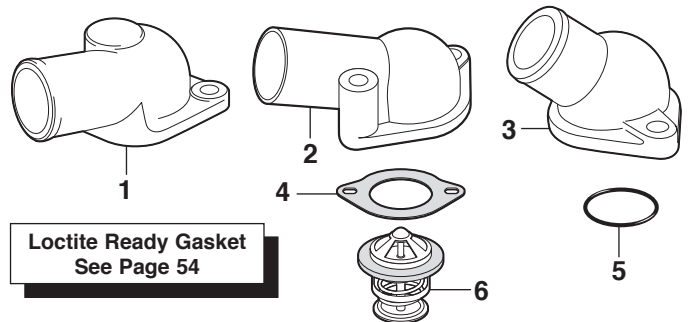
Chevrolet Truck	1967-72	GMC Truck	1967-72
Chevrolet Blazer	1969-72	GMC Jimmy	1970-72
Chevrolet Suburban	1967-72	GMC Suburban	1967-72

### Water Outlet

32-0138	(1)	WATER OUTLET 6 CYL CHEVY GMC 67-72 (1)	(1)	24.94	19.95
38-1870	(2)	WATER OUTLET-CHROME 283 CHEVY 67-68 (1)	(1)	16.19	12.95
32-0139		WATER OUTLET 283 CHEVY 67-68 (1)	(1)	16.19	12.95
38-1844	(3)	WATER OUTLET-CHROME 327 CHEVY 67-68 (1)	(1)	16.19	12.95
32-0155		WATER OUTLET 327 CHEVY 67-68 (1)	(1)	16.19	12.95
38-1870	(2)	WATER OUTLET-CHROME V8 CHEVY GMC 69-72 (1)	(1)	16.19	12.95
32-0139		WATER OUTLET V8 CHEVY GMC 69-72 (1)	(1)	16.19	12.95

### Gasket

30-4285	(4)	GASKET CHEVY GMC 69-72 (1)	(1)	1.19	.95
38-1978	(5)	REPLACEMENT O-RING FITS CHROME OUTLETS ONLY		1.19	.95



**Loctite Ready Gasket**  
See Page 54

PART	ILL#	DESCRIPTION AND APPLICATION	REQD	LIST	SELL
32-0123	(6)	THERMOSTAT 160 SUMMER CHEVY GMC 67-72 (1)	(1)	4.94	3.95
32-0124		THERMOSTAT 180 STANDARD CHEVY GMC 67-72 (1)	(1)	4.94	3.95
32-0125		THERMOSTAT 195 WINTER CHEVY GMC 67-72 (1)	(1)	4.94	3.95

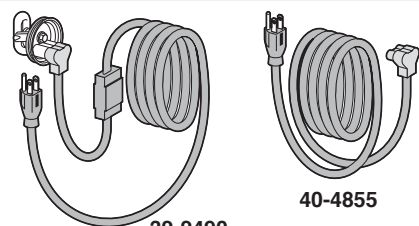
## Engine Block Heaters

A pre-heated engine ...

- Saves on fuel costs.
- Starts quicker.
- Runs smoother.
- Warms cab interior and defrosts quicker.
- Reduces engine wear and tear.



Engine Block Heaters are complete with cord and detailed easy-to-follow instructions for a simple installation directly into your engine block. Call or go online and order yours today!



**32-2490**

**40-4855**

32-2490		ENGINE BLOCK HEATER KIT 250 292 CHEVY GMC 67-72 (1)	(1)	37.44	29.95
32-2492		ENGINE BLOCK HEATER KIT 283-350 CHEVY GMC 67-72 (1)	(1)	37.44	29.95
40-4851		ENGINE BLOCK HEATER KIT 396 402 CHEVY GMC 68-72 (1)	(1)	37.44	29.95
40-4855		REPLACEMENT CORD CHEVY GMC A/R		18.69	14.95