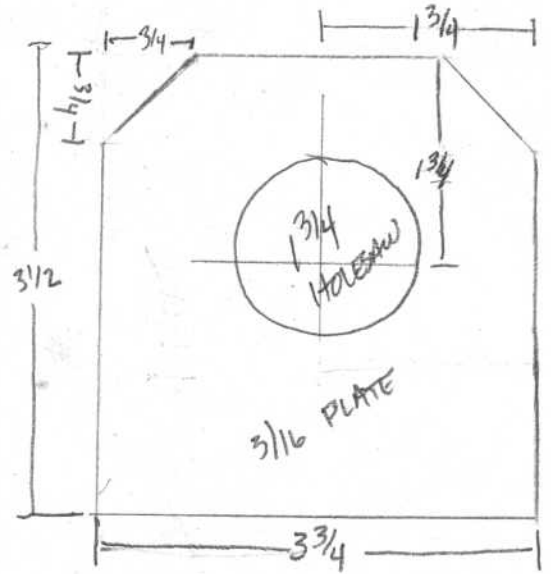
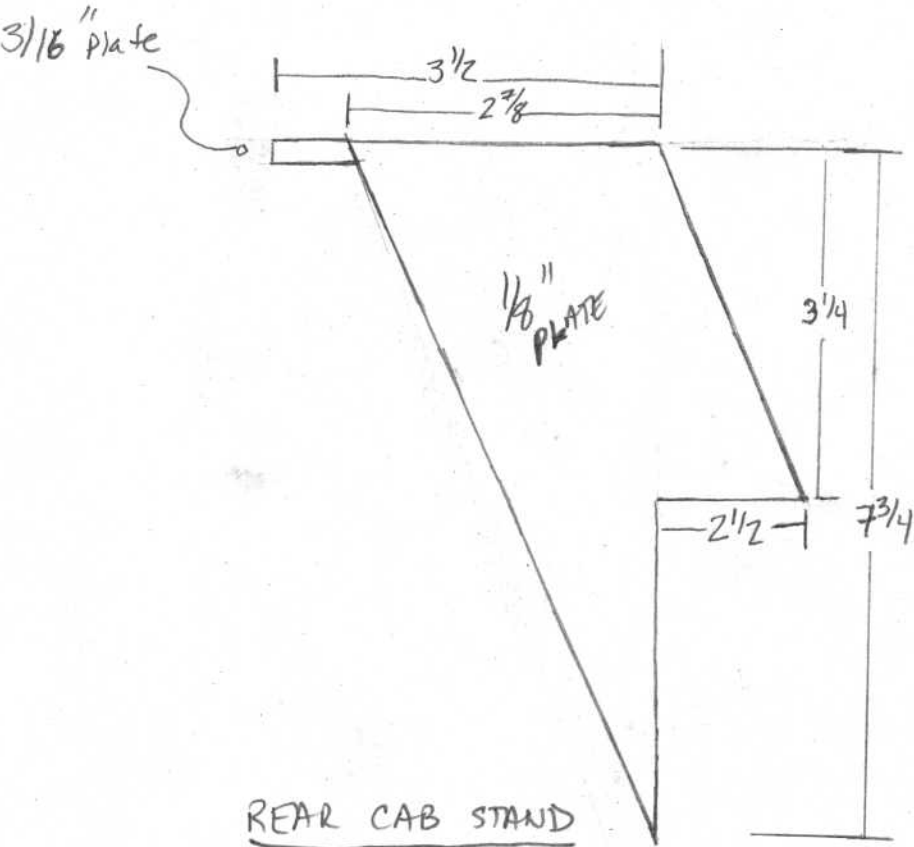
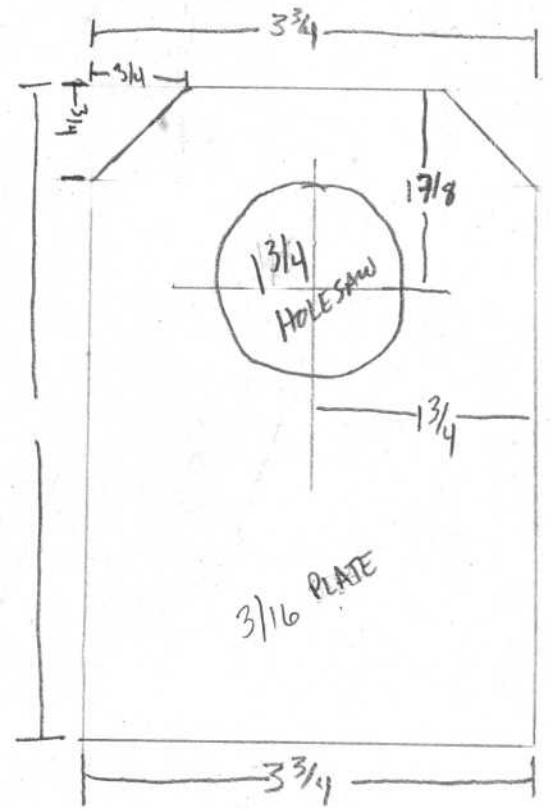
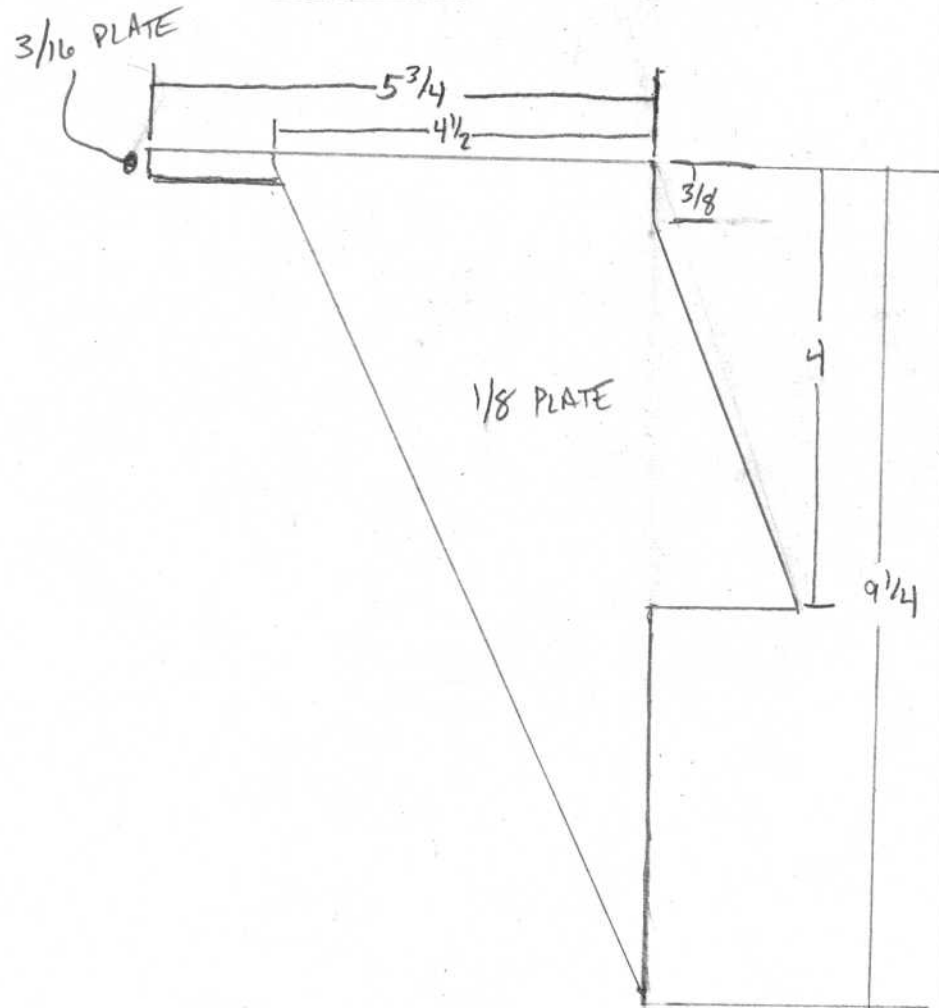


FRONT CAB STAND

TOP PLATES



REAR CAB STAND



HOLESAW CUTS ARE
MEASURED FROM REAR
AND OUTSIDE OF PLATE