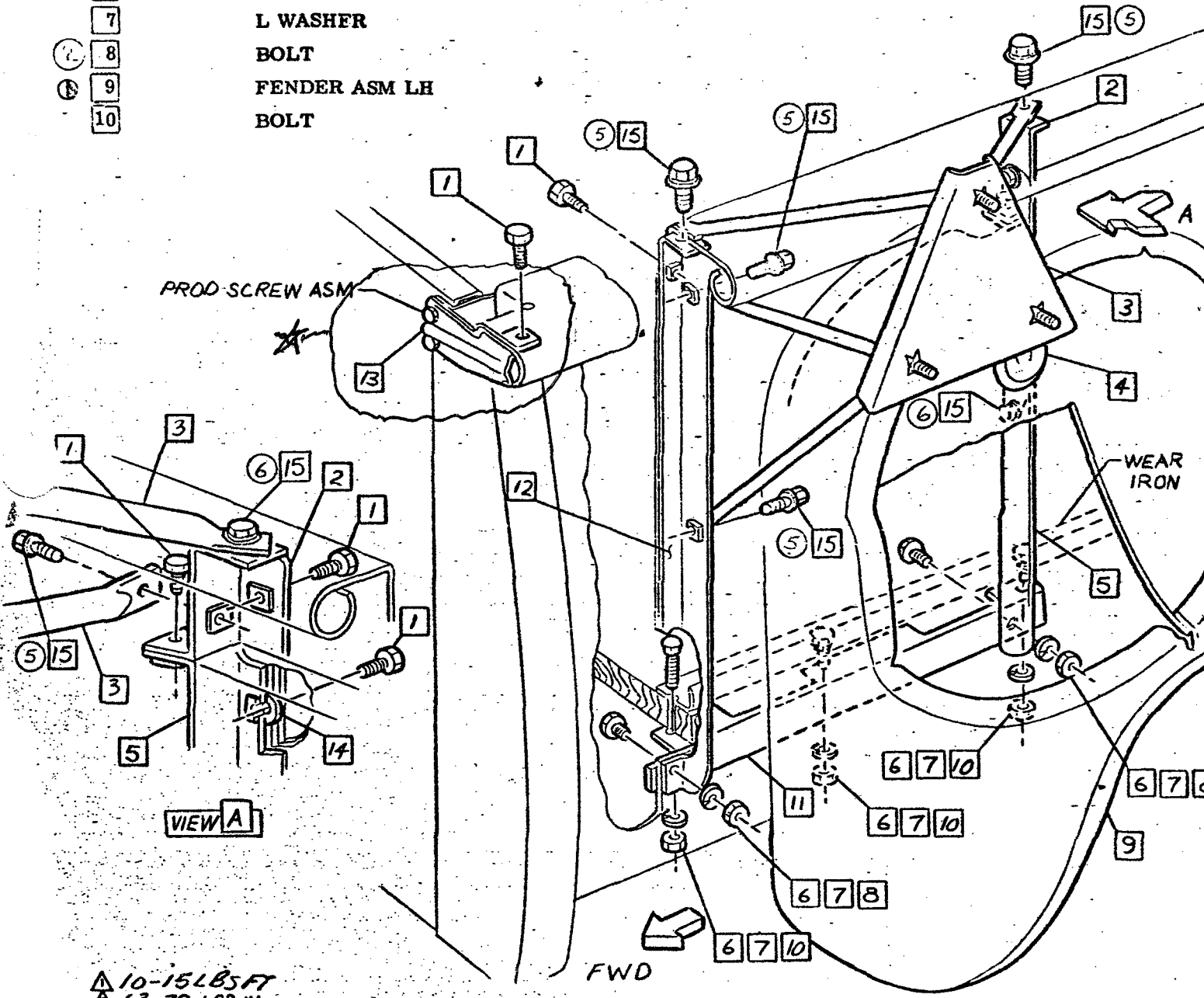


- ▲ 1
- 2
- 3
- 4
- 5
- ▲ 6
- 7
- ⊙ 8
- ⊙ 9
- 10

- SCREW
- UPPER REAR SUPPORT ASM
- PLATE & BRACE ASM
- GROMMET
- LOWER REAR SUPPORT ASM
- NUT
- L WASHER
- BOLT
- FENDER ASM LH
- BOLT

- 11
- 12
- ★ 13
- 14
- ⊙ ▲ 15

- SUPPORT ASM
- FRONT SUPPORT ASM
- BRACKET ASM
- P WASHER
- SCREW ASM



▲ 10-15 LBS FT  
 ▲ 63-79 LBS IN.  
 ▲