



INSTALLATION INSTRUCTIONS

FOR COMBO KIT 18430 (BLACK) OR 21825 (CHROME)
WITH HARDWARE KIT 17810/17820 (BLACK) OR
21826/21827 (CHROME)
COMBINED KIT 25481/25482 (BLACK) OR 25494/25495 (CHROME)

TO MOUNT A WARN WINCH ON FULL SIZE CHEVROLET & GMC TRUCKS

NOTE: Please read these instructions thoroughly before starting the installation of this kit. Minor modifications may be required due to variations between vehicles.

1. Take a few minutes to study **Figure 1** and decide which mounting style will be used. It depends somewhat on the winch model being mounted as well as personal preference. Be sure to make a decision before moving on to **Step 4**.

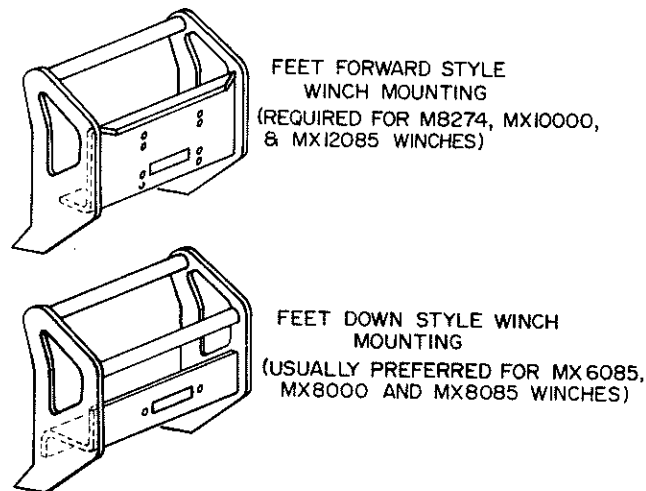


FIGURE 1

2. Remove the front license plate. Remove the brackets which attach the bumper to the front ends of the frame and replace these with the upper and lower frame brackets as show in **Figure 2**. Use the original factory fasteners. Finger tighten only.
3. Install the upper and lower brackets as shown in **Figure 3**. Before inserting the capscrew, install washer spacers as required between the back side of the bumper and upper and lower frame brackets. A supply of sixteen plain washers is supplied for this purpose.

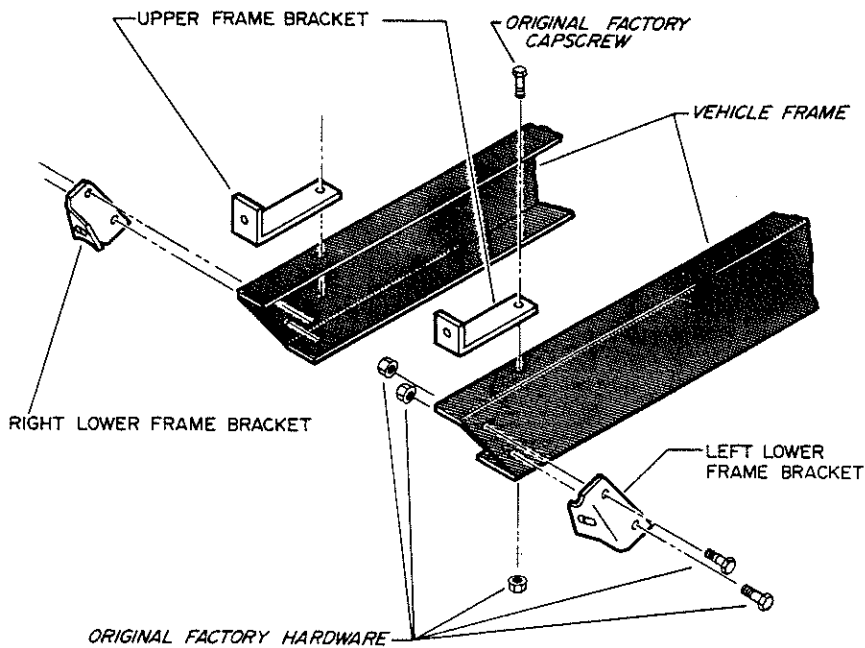


FIGURE 2

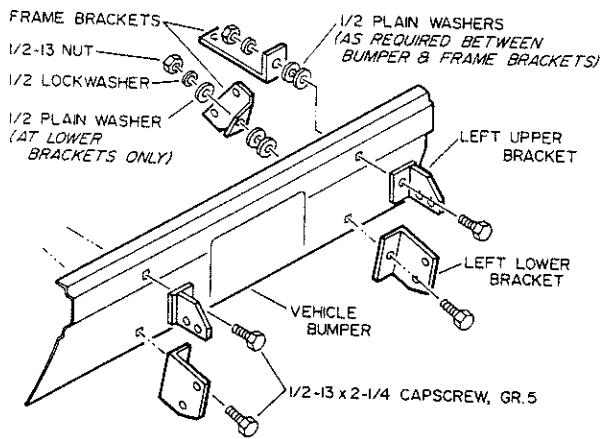


FIGURE 3

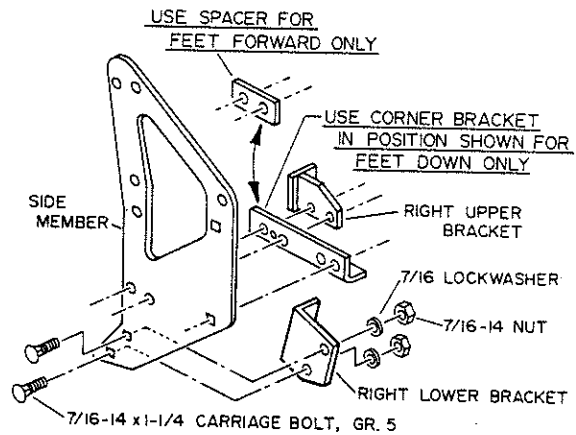


FIGURE 4

4. Install the side members as shown in **Figure 4**. Note that a choice must be made between the spacer and the corner bracket for installation between the side member and upper bracket. See **Figure 5** for fastener recommendations. For a feet down installation, the 7/16-1-1/2 hex cap screw specified in **Figure 5** should be dropped down through the center hole of the corner bracket before installing the two nuts on the 1/2 x 1-1/2 cap screws.

5. This step applies only when mounting the MX6085 or MX8000 winch. Drill two 1/4" diameter holes in the winch mounting plate as indicated in **Figure 8**. This is not necessary for the other winches because their solenoid boxes mount directly on the winch.
6. Assemble the winch mounting bracket and the corner bracket as shown in **Figure 5** or **Figure 6**.

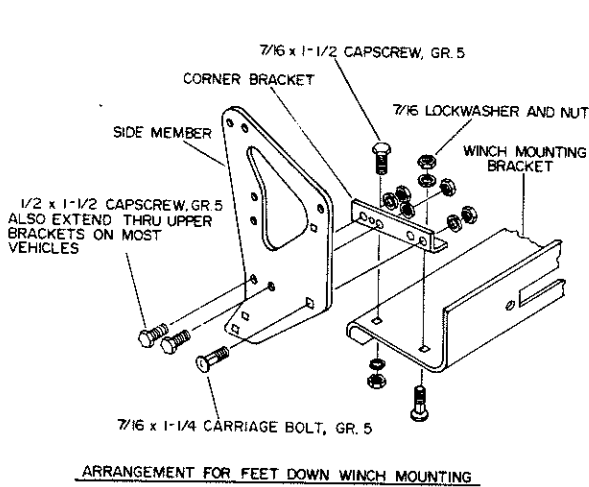


FIGURE 5

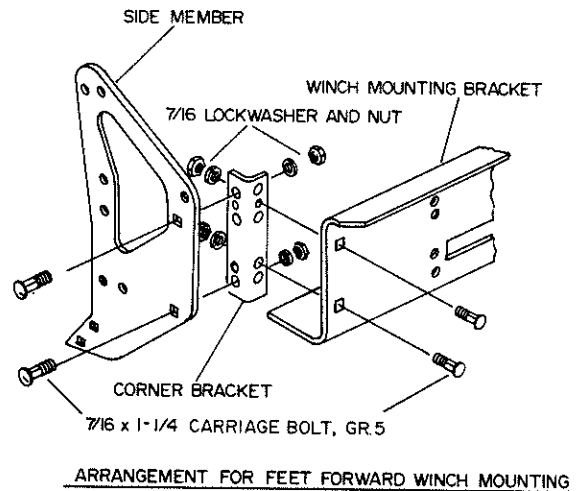


FIGURE 6

7. Install the brush guards and the upper grille guard tube as shown in **Figure 7**. Install solenoid bracket if needed, as shown in **Figure 8**.
8. Align the mounting kit on the vehicle and tighten all fasteners to the torque shown in the torque table on page 5. After everything is aligned and tight, it may be necessary to remove the upper tube to allow the winch to drop into place.
9. The winch may now be mounted as directed in the instructions packaged with the winch. However, a special few recommendations apply to this mounting kit.
 - a. On the 6,000, 8,000, 10,000 or 12,000 lb. winch, attach the black ground cable to the side of the winch motor before installing winch on vehicle.
 - b. Refer to **Figure 9** for attachment of the winch battery cables to a side terminal battery.

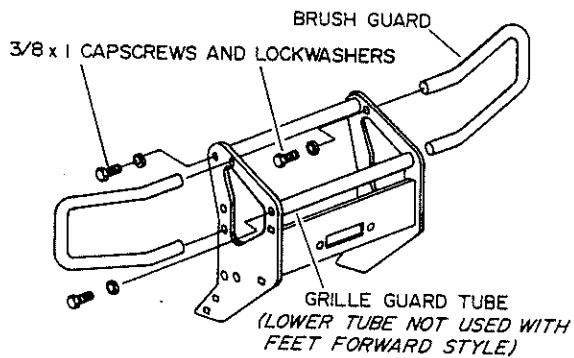


FIGURE 7

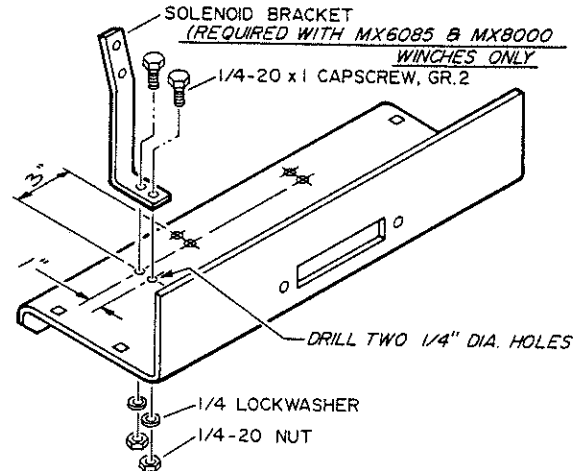


FIGURE 8

10. Reinstall upper grille guard tube.
11. On "feet down" style, install lower grill guard tube as shown in **Figure 7** and install the black hole plugs in the unused square holes in side members.
12. To reinstall the front license plate, drill new holes in the bumper below the original locations.

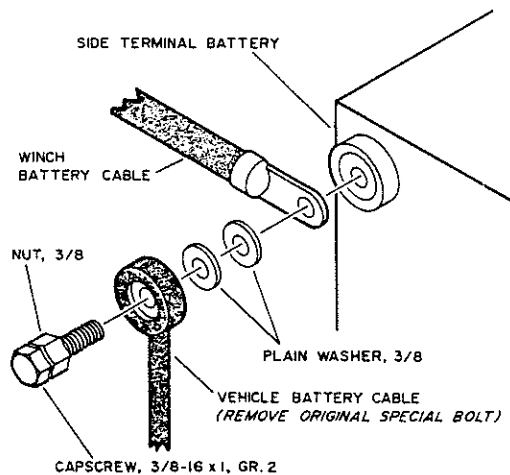


FIGURE 9

TOW HOOK AND AUXILIARY LIGHT MOUNTING:

1. The two 1/2" diameter bolt locations in the side members are spaced to match most tow hooks. Longer bolts will be required.
2. An extra hole is provided in each side member near the lower brush guard mount for mounting for or driving lights.

TORQUE SPECIFICATIONS

SIZE	TORQUE
5/8-11, GR. 5	150 LB. FT. (203.4 N-m)
1/2-13, GR. 5	75 LB. FT. (101.7 N-m)
7/16-14, GR. 5	50 LB. FT. (67.8 N-m)
5/16-18, GR. 2	11 LB. FT. (14.9 N-m)
1/4-20, GR. 2	6 LB. FT. (8.1 N-m)

PARTS LIST

PART NO.	QUANTITY	DESCRIPTION
16713	1	Winch Mounting Bracket, Black
21806	1	Winch Mounting Bracket, Chrome
16715	2	Side Member, Black
21812	2	Side Member, Chrome
11363	2	Grille Guard Tube, Black
21816	2	Grille Guard Tube, Chrome
13163	2	Brush Guard Assembly, Dual Light, Black
13448	2	Brush Guard Assembly, Quad Light, Black
21817	2	Brush Guard Assembly, Dual Light, Chrome
21818	2	Brush Guard Assembly, Quad Light, Chrome
13428	2	Frame Bracket, Upper
13439	1	Frame Bracket, Lower, L.H.
13437	1	Frame Bracket, Lower, R.H.
18239	1	Upper Bracket, L.H.
18238	1	Upper Bracket, R.H.
18243	1	Lower Bracket, L.H.
18242	1	Lower Bracket, R.H.
19576	2	Spacer
18017	2	Corner Bracket
13557	1	Solenoid Bracket
11075	2	Hole Plug
18018	1	Warn Logo Decal