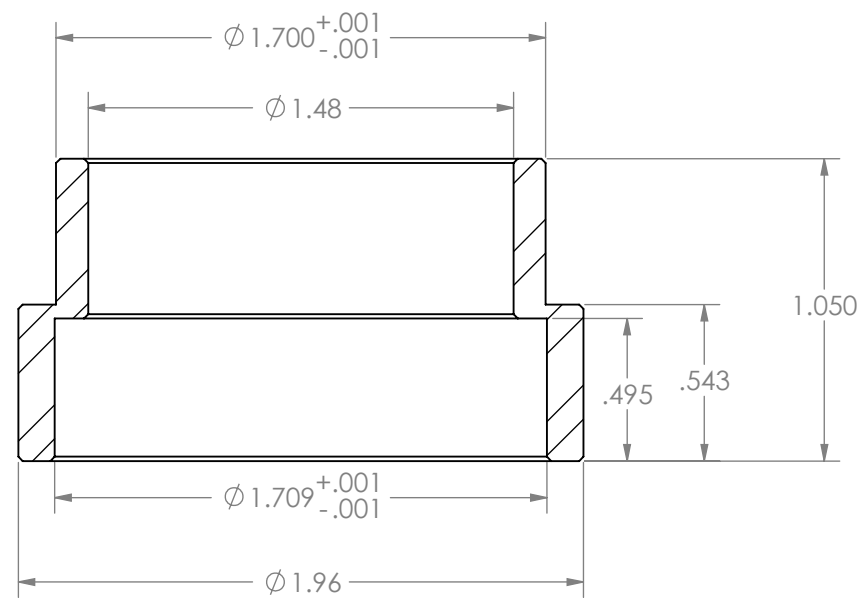
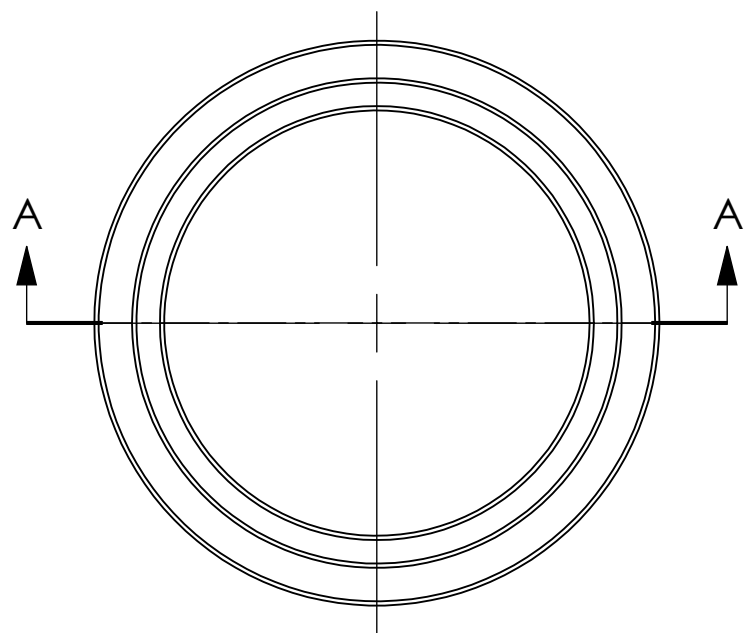
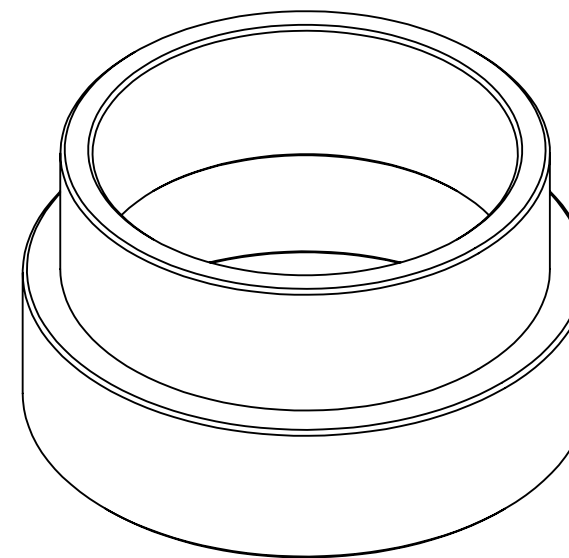


REVISIONS				
ECO	REV.	DESCRIPTION	DATE	INIT'LS



SECTION A-A



NOTES:

1. MATERIAL: 1018 STEEL.
2. BREAK ALL SHARP EDGES.
3. USED FOR MATING GM GEN3 ENGINE TO OLDER GEN1 TRANSMISSIONS.

MACHINISTRANDY

TITLE:

**TORQUE CONVERTER ADAPTER
LS SWAP**

	NAME	DATE	SIZE	DWG. NO.	REV
DRAWN		6/30/17	B	Torque Adapter	
CHECKED					
ENG APPR.					SHEET 1 OF 1