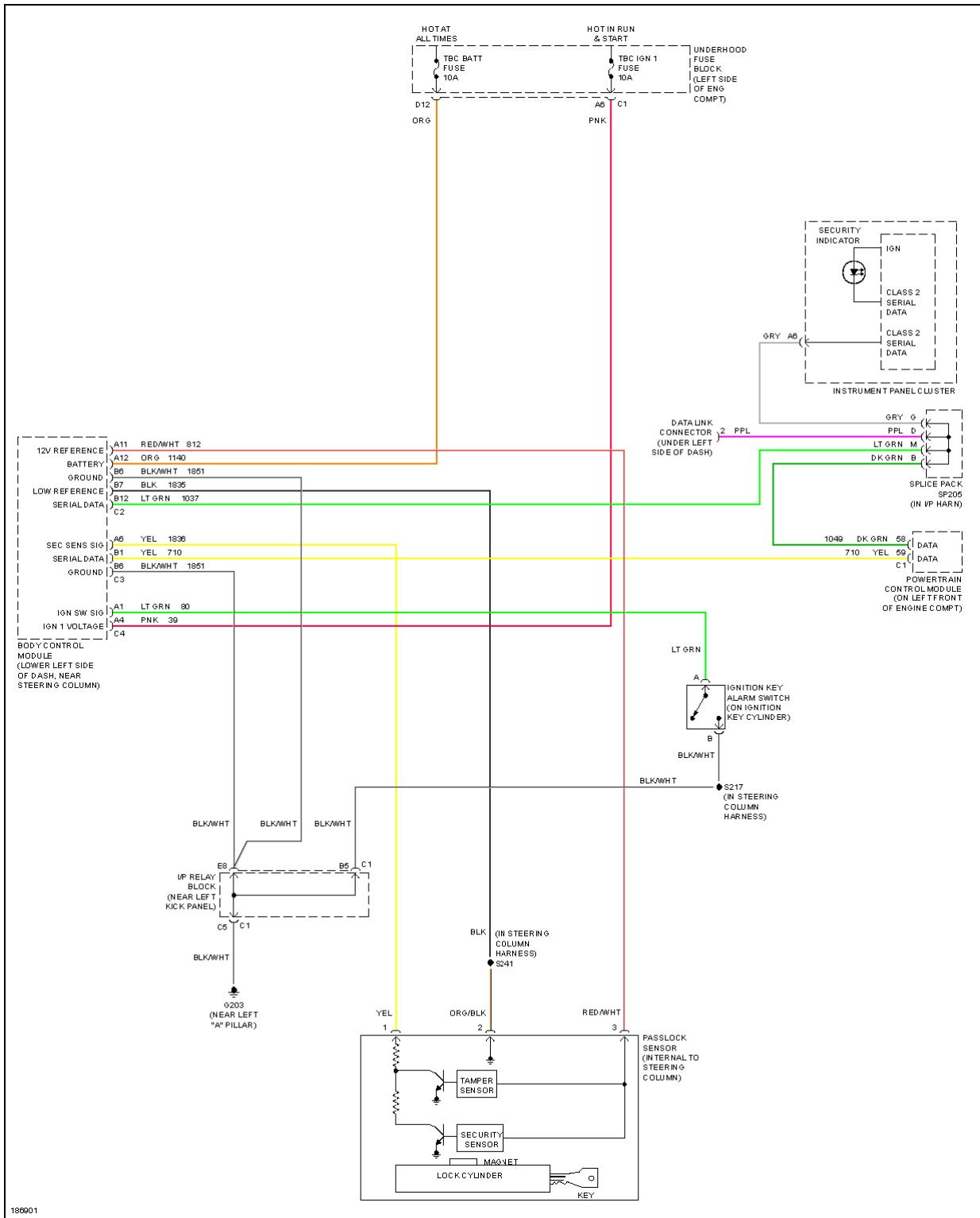


**Fig. 8: Forced Entry Circuit**



**Fig. 9: Passlock Circuit**