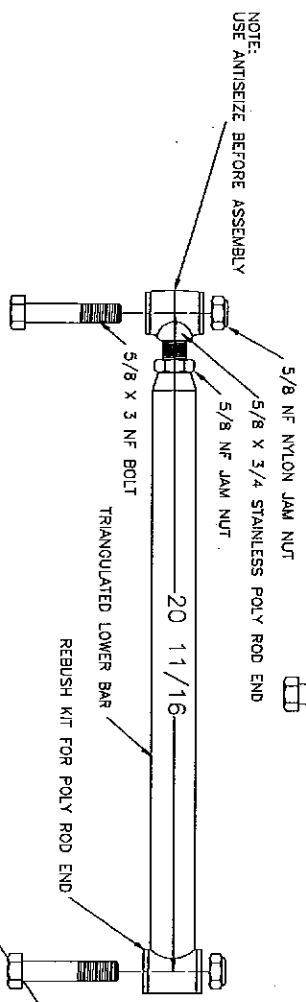
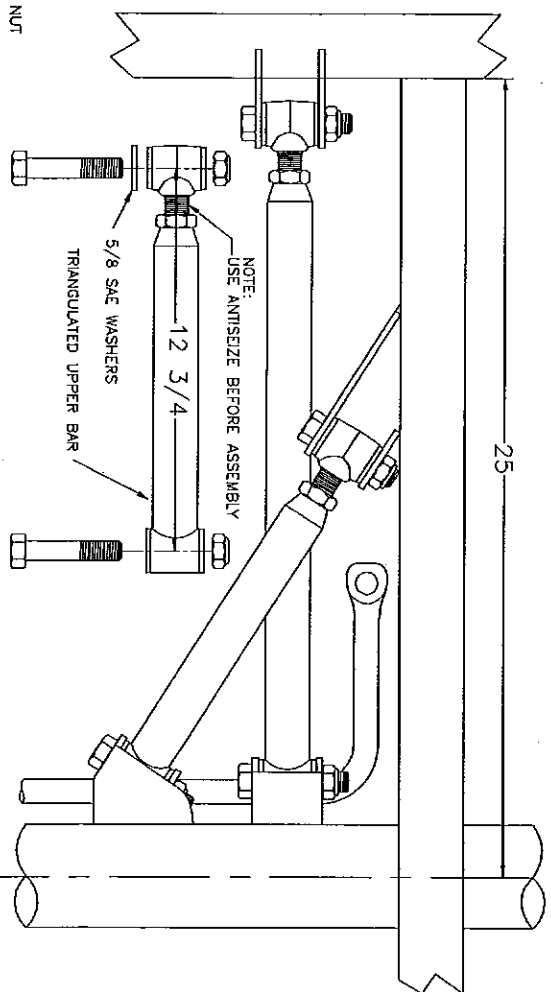
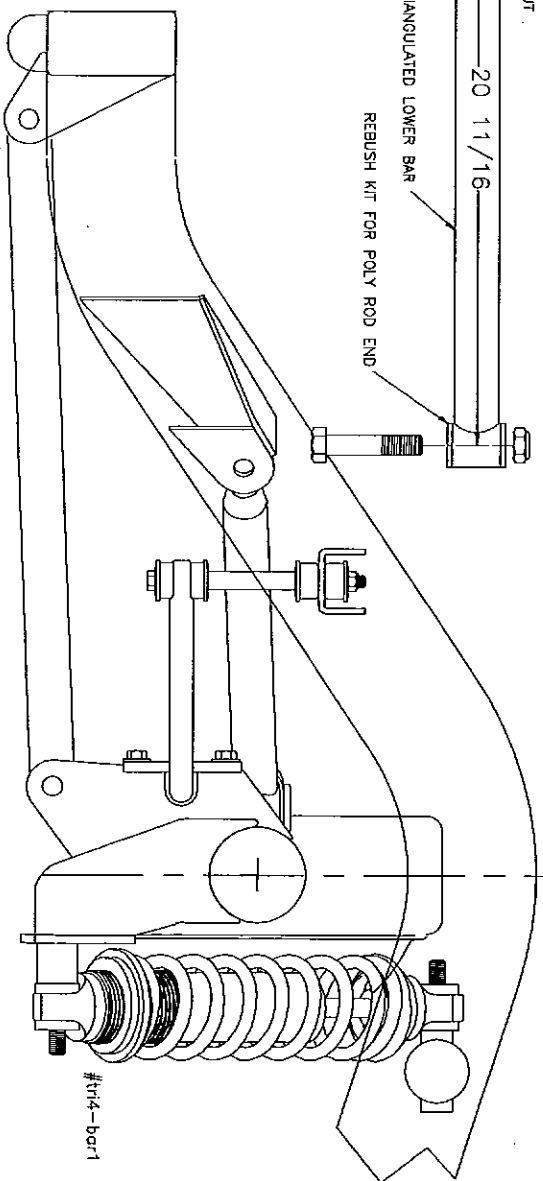
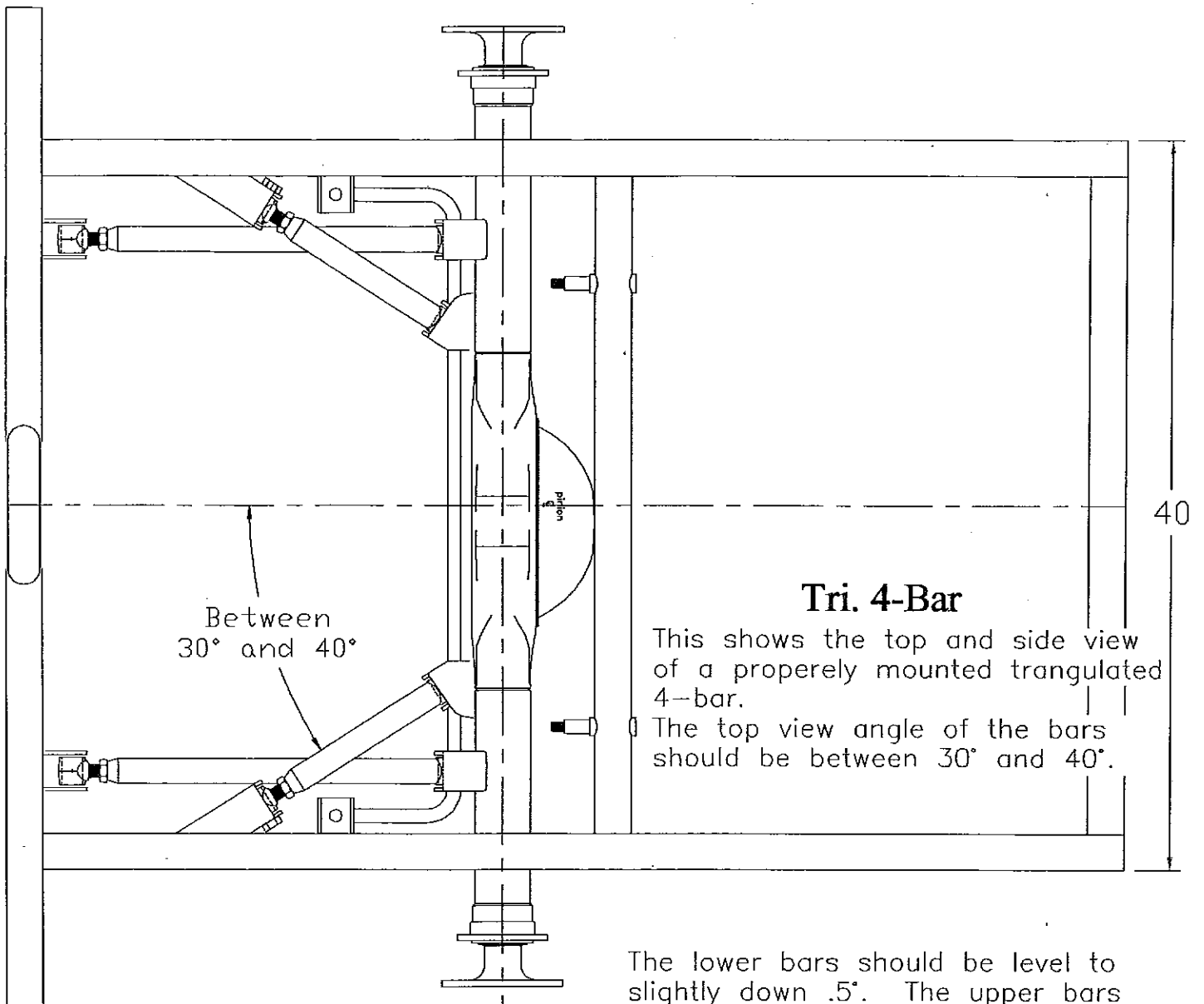


TRIANGULATED 4-BAR LESS
HOUSING AND FRAME
PART #14154510



- KIT INCLUDES:
- 2 5/8 SAE FLAT WASHER PLTD
 - 2 TRIANGULATED BARE UPPER BAR
 - 2 TRIANGULATED BARE LOWER BAR
 - 4 5/8 X 3/4 STAINLESS POLY BUSHED ROD END
 - 4 REBUSH KIT FOR POLY ROD END
 - 4 3/4 NF JAM NUT
 - 8 5/8 X 3 NF BOLTS
 - 8 NF NYLON JAM NUTS



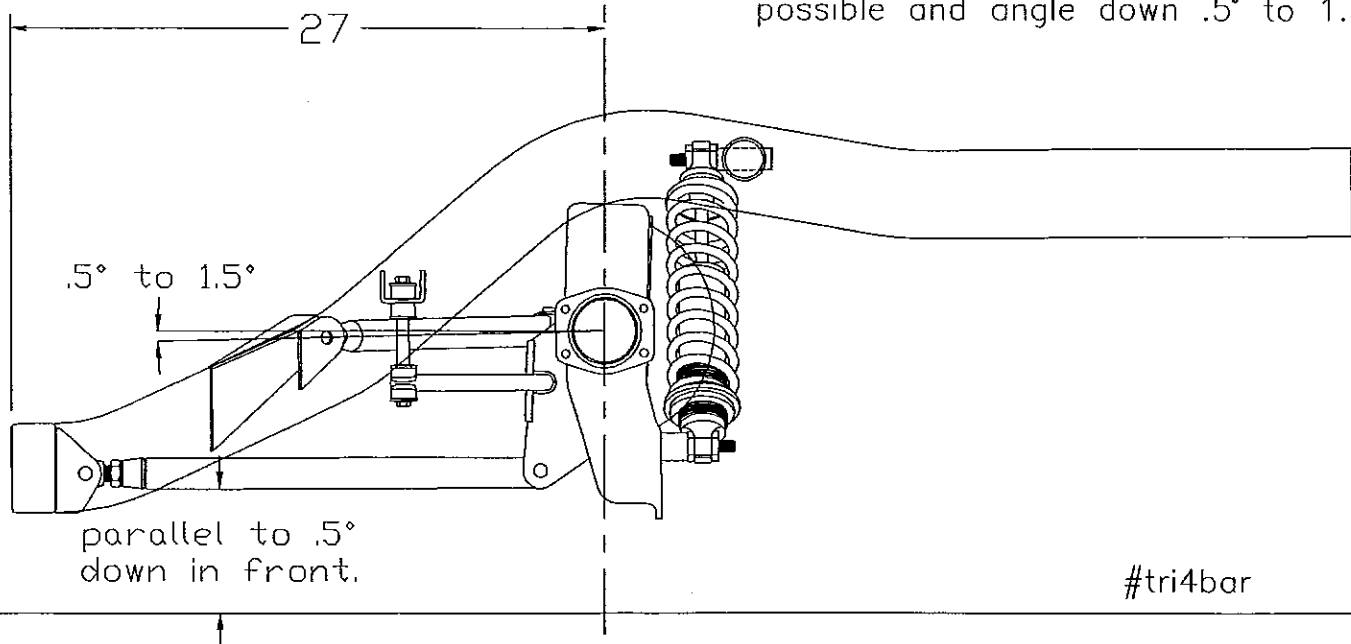


Tri. 4-Bar

This shows the top and side view of a properly mounted triangulated 4-bar.

The top view angle of the bars should be between 30° and 40°.

The lower bars should be level to slightly down .5°. The upper bars from the side view should be as close to the axle centerline as possible and angle down .5° to 1.5°.



#tri4bar

