

4

3

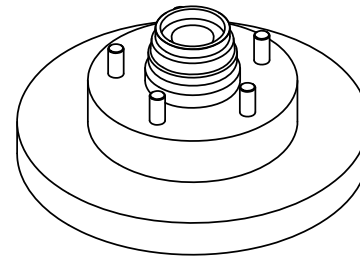
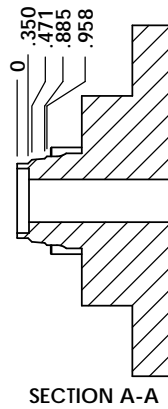
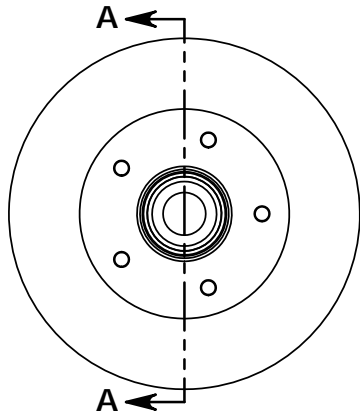
rotor

SH 1 REV

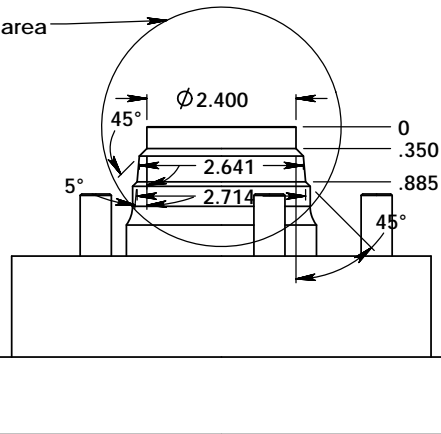
1

REVISION HISTORY

REV	DESCRIPTION	DATE	APPROVED



Modified area



PRECIOUS METAL INDICATOR CODE				
A				
/	/	/	/	/
/	/	/	/	/
/	/	/	/	/
/	/	/	/	/
RELEASE STATUS	QTY	DATE	DASH	QTY
PROTOTYPE	/	/	-01	1
1ST ARTICLE	/	/		
PRODUCTION	/	/		

UNLESS OTHERWISE SPECIFIED
DIMENSIONS ARE IN INCHES.
TOLERANCES ARE:
DECIMALS .XX±.03 ANGLES ±1°
.XXX±.005
DO NOT SCALE DRAWING
TREATMENT
FINISH
SPECIAL MARKING SYM

SALES ORDER NO	
APPROVALS	DATE
ENGR	07-26-10
SHIP	/
MACH	MC
PROD	/
QUAL	/

TITLE	
1.25 Mod. Rotor	
SIZE	B
CAGE CODE	
DWG NO	Modified rotor
REV	
SCALE: 1:4	CAL WT: /
SHT 1 OF 1	

4

3

2

1