

MAINTENANCE REMINDER LIGHT RESET PROCEDURES

ABC123

Entire Article
2000 Chevrolet Camaro

ARTICLE BEGINNING

INTRODUCTION

General Motors Maintenance Reminder Lights

INTRODUCTION

Some models may be equipped with one or more resettable maintenance reminder lights indicating service is required. Once services are performed, resetting of lights may be required. Information is provided to reset these lights where applicable.

Most vehicles are equipped with a computer malfunction indicator light. If light comes on and remains on while driving, the vehicle requires service. After repairing fault(s) and clearing fault code(s), the malfunction indicator light should go out. Some models may use a dual-function indicator light, which is also used to indicate emission component service is due. After performing required service, reset indicator light.

RESET PROCEDURES (CADILLAC)

NOTE: Most General Motors 1981-88 vehicles do not use a Service Reminder Indicator (SRI).

1980 CADILLAC

1) Every 15,000 miles, a reminder flag appears in speedometer face, indicating service of oxygen sensor is necessary. Inspect and service oxygen sensor as necessary, and reset flag.

2) To reset flag, remove lower steering column cover. Sensor reset cable is located to the left of the speedometer cluster. Pull cable lightly (maximum 2 lbs. force). Reinstall lower steering column cover.

1989-93 ALLANTE

Engine Data Display

1) An OIL LIFE INDEX is one of the displays on Driver Information Center (DIC). It will display remaining oil life as a percentage estimate of the useful life of oil.

2) It will show 100 percent when the system is reset. When the oil life is 0 percent, the display will show CHANGE ENGINE OIL. After changing oil, reset oil life display.

3) To reset service reminder on 1989 models, press RANGE button until OIL LIFE INDEX appears on display. Depress and hold in AVG ECON and RANGE buttons for more than 5 seconds or until 100 is displayed. This will reset remaining oil life to 100 percent.

4) On 1990-93 models, press RANGE button until OIL LIFE INDEX appears on DIC display. Depress and hold in AVG SPEED and RANGE buttons for more than 5 seconds or until 100 is displayed. This will reset remaining oil life to 100 percent.

MAINTENANCE REMINDER LIGHT RESET PROCEDURES

ABC123

Entire Article
2000 Chevrolet Camaro

1989-91 ELDORADO & SEVILLE

Engine Data Display

- 1) An OIL LIFE INDEX is one of 4 displays on Driver Information Center (DIC). It will display remaining oil life as a percentage estimate of the useful life of oil.
- 2) Display will show 100 percent when the system is reset. When remaining oil life is 10 percent or less, the system will display CHANGE OIL SOON. When the oil life expires, the display will show CHANGE ENGINE OIL. After changing oil, reset oil life display.
- 3) To reset oil life display, press ENG DATA button until OIL LIFE INDEX appears on DIC display. Depress and hold in ENG DATA and RANGE buttons until 100 is displayed. This will reset remaining oil life to 100 percent.

1991-93 DEVILLE & 1991-92 FLEETWOOD

Engine Data Display

- 1) An OIL LIFE INDEX is one of the displays on Driver Information Center (DIC). It will display remaining oil life as a estimated percentage of the useful life of oil.
- 2) It will show 100 percent when the system is reset. When the oil life is 0 percent, the display will show CHANGE ENGINE OIL. After performing necessary services, reset service reminder.
- 3) To reset service reminder, depress and hold RANGE and FUEL USED buttons until OIL LIFE INDEX appears on DIC display. Depress and hold RANGE and RESET buttons for 5-60 seconds.
- 4) When CHANGE OIL SOON light flashes 4 times, remaining oil life index is reset to 100 percent. If CHANGE OIL SOON comes on and stays on for 5 seconds, display did not reset. Repeat step 3).

1992-93 ELDORADO & SEVILLE

Engine Data Display

- 1) Oil change reminder display is similar to 1990-91 models, but reset procedures are different. After changing oil, reset oil life display.
- 2) To reset, press INFORMATION button to display OIL LIFE INDEX. Press and hold STORE/RECALL button until 100 is displayed. This will reset oil life display to 100 percent.

1993 BROUGHAM & 1993-96 FLEETWOOD

Oil Life Indicator

- 1) Oil life indicator will display CHANGE OIL when oil change is needed, based upon engine oil temperatures and driving patterns. After changing oil, reset oil life indicator.
- 2) To reset, turn ignition switch to ON position. Do not start engine. Fully press and release accelerator pedal 3 times within 5 seconds. If CHANGE OIL light comes on and stays on for 5 seconds, it did not reset. Reset system again.

MAINTENANCE REMINDER LIGHT RESET PROCEDURES

ABC123

Entire Article
2000 Chevrolet Camaro

1992-98 DEVILLE, CONCOURS & ELDORADO; & 1992-97 SEVILLE

CHANGE TRANS FLUID Message

This message will appear on the Driver Information Center (DIC) when transaxle fluid change is due. Change fluid in both the oil pan and side cover. To reset display, turn ignition on with engine off. On the climate control panel, press and hold OFF and REAR DEFOG buttons until TRANS FLUID RESET message appears in DIC (about 5-20 seconds).

1994-96 CONCOURS, 1994-99 DEVILLE, 1994-97 ELDORADO & 1994-97 SEVILLE

CHANGE ENGINE OIL Display

1) The Driver Information Center (DIC) will display remaining oil life as a percentage estimate of the useful life of oil.

2) When remaining oil life is 10 percent or less, the system will display CHANGE OIL SOON. When oil life expires, display will show CHANGE ENGINE OIL. After changing oil, reset oil life display.

3) To reset oil life display, press INFORMATION (or INFORMATION SKIP) button to display OIL LIFE LEFT. Press and hold RESET (or RESET NO) button until 100 OIL LIFE LEFT (0.0 OIL LIFE LEFT on some early models) is displayed.

1997-2001 ELDORADO (ANALOG CONTROL BUTTONS) & 1997-99 CONCOURS

CHANGE ENGINE OIL Display

The CHANGE ENGINE OIL message is displayed in the Driver Information Center (DIC) when oil change is due. To reset display, press the INFO button to display the OIL LIFE LEFT message. Press and hold the INFO RESET button until 100% OIL LIFE LEFT is displayed.

1998-2001 SEVILLE

CHANGE ENGINE OIL Display

Driver Information Center (DIC) can display remaining oil life as a percentage estimate of the useful life of oil. CHANGE ENGINE OIL will display when oil change is due. To reset display, press INFO button to display ENGINE OIL LIFE. Press and hold INFO RESET button until 100% ENGINE OIL LIFE is displayed.

1999-2000 CONCOURS, 1999-2001 DEVILLE, 1999-2000 ELDORADO & 1998-2001 SEVILLE

CHANGE TRANS FLUID Message

1) This message will appear on the Driver Information Center (DIC) when transaxle fluid change is due. To reset display, turn ignition key on with engine off.

2) Press the INFO button until TRANS FLUID LIFE message appears. Press and hold INFO RESET button until display shows 100%

MAINTENANCE REMINDER LIGHT RESET PROCEDURES

ABC123

Entire Article
2000 Chevrolet Camaro

TRANS FLUID LIFE.

2000-2001 DEVILLE

CHANGE ENGINE OIL Display

The CHANGE ENGINE OIL message is displayed in the Driver Information Center (DIC) when oil change is due. To reset display, press the INFO button to display the OIL LIFE LEFT message. Press and hold the INFO RESET button until 100% OIL LIFE LEFT is displayed.

2001 ELDORADO

CHANGE TRANS FLUID Message

1) This message will appear on the Driver Information Center (DIC) when transaxle fluid change is due. To reset display, turn ignition key on with engine off.

2) Press the OFF and REAR DEFOG buttons on the climate control panel until TRANS FLUID LIFE RESET message appears on the DIC (about 5-20 seconds). The trans fluid life is now reset.

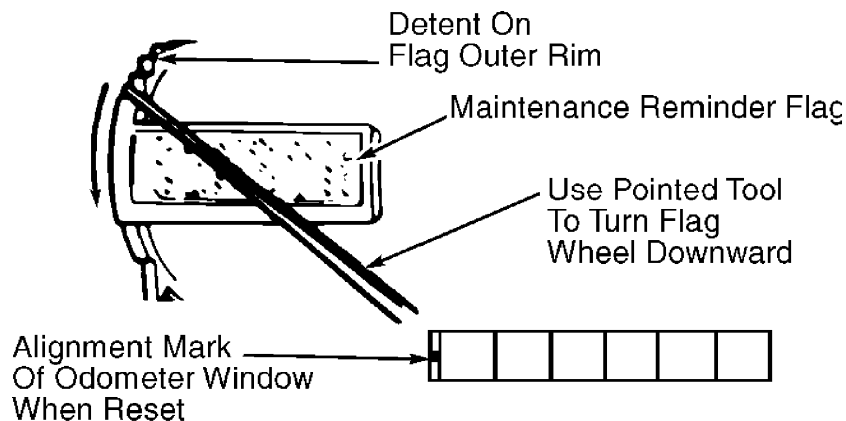
RESET PROCEDURES (EXCEPT CADILLAC)

NOTE: Most General Motors 1981-88 vehicles do not use a Service Reminder Indicator (SRI).

1980 MODELS

1) Every 30,000 miles, a reminder flag appears in speedometer face, indicating service of oxygen sensor is necessary. See Fig. 1. Inspect and service oxygen sensor as necessary and reset flag.

2) To reset flag, remove instrument panel trim plate. Remove instrument cluster lens. Using pointed tool, apply light downward pressure on notches of flag until it is reset. An alignment mark will appear in left center of odometer window when flag is fully reset.



95J14679

Fig. 1: Resetting Reminder Flag (1980 General Motors)
Courtesy of General Motors Corp.

MAINTENANCE REMINDER LIGHT RESET PROCEDURES

ABC123

Entire Article
2000 Chevrolet Camaro

1988-89 PONTIAC BONNEVILLE & 1987-89 6000 STE

Service Interval Reminder Light

1) SERVICE REMINDER light is used on models with a Driver Information Center (DIC). After performing necessary services, reset service reminder light.

2) To reset service reminder, push DIC button until desired service item is displayed. Press and hold down the DIC button. With button pressed, the distance display will decrease in increments of 500 miles. Release button when desired distance is displayed on the DIC.

1989-93 OLDSMOBILE TORONADO & TROFEO

Vehicles With Information Center Display

1) OIL LIFE INDEX is one of 4 engine data displays used on models with Information Center display. It will display remaining oil life as estimated percentage of the useful life of oil. It will show 100 percent when the system is reset. After changing oil, reset oil life display.

2) To reset the display, press ENG DATA button (1989-90) or OPTIONS button (1991-93) until oil life index is displayed. Then, press and hold in ENG DATA and GAGE buttons (1989) or RESET/ENTER button (1990-93) for at least 5 seconds. This will reset remaining oil life to 100 percent.

Vehicles With Visual Information Center (VIC)

1) OIL LIFE is one of the displays used on models with a VIC. It will display data regarding previous oil change. A bar graph display shows full when oil is changed. Bar graph will go down as vehicle is driven and oil ages. When bar graph reaches CHANGE OIL mark, oil should be changed. After changing oil, reset oil life display.

2) To reset the display, press INFO hard key and then OIL LIFE soft key to display oil life index. Press RESET soft key. A reset confirmation page will appear and ask if oil has been changed. Press YES soft key to reset bar graph, and update last oil change date and mileage information.

1990-91 CHEVROLET CORVETTE

Engine Oil Life Monitor

1) Engine oil life monitor calculates engine oil temperature and RPM. It indicates when the oil is nearly worn out. A CHANGE OIL light on left side of instrument cluster is illuminated when it is time to change oil.

2) To reset oil life monitor, turn ignition on. Depress ENG MET button on trip monitor and release. Within 5 seconds, depress and release ENG MET button again. Within 5 seconds, depress and hold the RANGE button on trip monitor. The CHANGE OIL light should flash.

3) Hold the RANGE button depressed until the CHANGE OIL light

MAINTENANCE REMINDER LIGHT RESET PROCEDURES

ABC123

Entire Article
2000 Chevrolet Camaro

stops flashing and goes out. When the light goes out, the engine oil life monitor is reset. This should take about 10 seconds. If the light does not reset, turn the ignition off and repeat the procedure.

1990-91 OLDSMOBILE CUTLASS CALAIS, CUTLASS SUPREME, CUTLASS CIERA, CUTLASS CRUISER, EIGHTY-EIGHT, NINETY-EIGHT & TOURING SEDAN

Engine Data Display

- 1) An oil change reminder displays estimated percentage of the remaining useful life of the oil. When vehicle is started, a tone will sound and approximate distance to next oil change will be displayed.
- 2) When remaining oil life is 10 percent or less, the system will calculate distance to next oil change. When the oil life is 0 percent, the display will show CHANGE OIL NOW. After changing oil, reset oil life display.
- 3) To reset the display, press and hold in OIL button to select the oil life display. Then, press and hold in RESET and OIL buttons for at least 5 seconds. This will reset oil life display to 100 percent.

1990-91 PONTIAC BONNEVILLE

Service Interval Reminder Light

- 1) SERVICE REMINDER light is used on models with a Driver Information Center (DIC). After performing necessary services, reset service reminder light.
- 2) To reset service reminder, push DIC button until service item preceding desired service item is displayed. Press and hold down the DIC button. This will advance display to desired service item and, with button pressed, the distance between service intervals will decrease in increments of 500 miles.
- 3) Release button when desired distance is displayed on the DIC. If the SERVICE REMINDER remains on after resetting, drive vehicle. Light should go out within 10 miles of driving.

1991-93 BUICK PARK AVENUE

CHANGE OIL SOON Light

- 1) CHANGE OIL SOON light will come on when engine oil has broken down enough to require changing. After changing oil, reset oil life display.
- 2) To reset light, locate reset button hole under passenger side of dash. Use a pencil or similar object to push and hold button (inside hole) for 5 seconds. The CHANGE OIL SOON light will flash 4 times to indicate light has been reset.

1992-93 OLDSMOBILE EIGHTY EIGHT & NINETY EIGHT

Engine Data Display

- 1) Oil change reminder display is similar to 1990-91 models,

MAINTENANCE REMINDER LIGHT RESET PROCEDURES

ABC123

Entire Article
2000 Chevrolet Camaro

but reset procedures are different. After changing oil, reset oil life display.

2) To reset the display, press and release the TEST button. Press and release the OIL button. Press and hold the RESET button for at least 7 seconds. This will reset oil life display to 100 percent.

1992-96 CHEVROLET CORVETTE

Engine Oil Life Monitor

1) The CHANGE OIL light, located on left side of instrument cluster is illuminated when its time to change oil. When engine oil is changed, reset CHANGE OIL indicator even if indicator did not illuminate. This ensures indicator accuracy for next oil change.

2) To reset oil life monitor, turn ignition on. Ensure DLC terminal No. 12 is not grounded. Press ENG MET button, located on the trip monitor, and release. Within 5 seconds, press and release ENG MET button again. Within another 5 seconds, press and hold the GAUGES button located on the trip monitor.

3) CHANGE OIL light will begin flashing. Hold GAUGES button pressed until CHANGE OIL light goes out. When light goes out, engine oil life monitor is reset. This should take about 10 seconds. If light does not reset, turn ignition off and repeat procedure.

1994-96 BUICK PARK AVENUE & 1994-99 BUICK LESABRE

CHANGE OIL SOON Light

1) CHANGE OIL SOON light will come on when engine oil has broken down enough to require changing. After changing oil, reset oil life display.

2) To reset light, turn ignition on. Open glove box to access oil reset button. Press and hold oil reset button in glove box for at least 5 seconds, but not longer than 60 seconds. The CHANGE OIL SOON light will flash 4 times to indicate light has been reset.

1994 BUICK ROADMASTER, CHEVROLET CAPRICE & IMPALA SS

Engine Oil Life Monitor

1) Engine oil life monitor calculates engine oil temperature and RPM. It indicates when the engine oil is nearly worn out. A CHANGE OIL light on the instrument cluster is illuminated when it is time to change the engine oil.

2) To reset CHANGE OIL light, press reset switch located behind fuse block access door.

1995-96 BUICK ROADMASTER, CHEVROLET CAPRICE & IMPALA SS

Engine Oil Life Monitor

1) Engine oil life monitor calculates engine oil temperature and RPM. It indicates when the engine oil is nearly worn out. A CHANGE OIL light on the instrument cluster is illuminated when it is time to change the engine oil.

2) To reset oil life monitor and turn off CHANGE OIL light,

MAINTENANCE REMINDER LIGHT RESET PROCEDURES

ABC123

Entire Article
2000 Chevrolet Camaro

turn ignition switch to ON position with engine off. Depress accelerator pedal to wide open throttle 3 times within 5 seconds. This throttle signal will inform the PCM to reset the oil life monitor and turn off the light. If light does not turn off, turn ignition off and repeat procedure.

1995-99 OLDSMOBILE AURORA

CHANGE OIL NOW or CHANGE TRNS FLUID NOW Display

1) The Driver Information Center (DIC) displays estimated percentage of the remaining useful life of engine oil or transaxle fluid. When remaining oil or fluid life is 0 percent, the display will show CHANGE OIL NOW or CHANGE TRNS FLUID NOW. After changing engine oil or transaxle fluid, reset oil life display.

2) To reset the display, turn ignition on with engine off. Press ENG button to select the OIL LIFE or TRNS FLUID LIFE percentage display. Then, press and hold in RESET for at least 5 seconds.

3) The word RESET will appear. Then, OIL LIFE 100 or TRNS FLUID 100 will be displayed.

1995-97 OLDSMOBILE EIGHTY EIGHT & NINETY EIGHT

Engine Data Display

1) Oil change reminder display is similar to 1990-91 models, but reset procedures are different. After changing oil, reset oil life display.

2) To reset the display, press and release RESET button on Driver Information Center (DIC). Press SEL button (with down arrow) to select OIL. Press SEL button (with left and right arrows) to display oil life. Press and hold RESET button for about 5 seconds. A reset message will display, then oil life will display 100 percent.

1997-2001 BUICK PARK AVENUE

OIL LIFE INDEX CHANGE OIL Light

1) To display this light, press the GAUGE INFO or GAGES button on the Driver Information Center (DIC). When oil life index is less than 10 percent, display will show OIL LIFE INDEX CHANGE OIL. After changing oil, reset system.

2) To reset light, display OIL LIFE INDEX. Hold RESET button for more than 5 seconds. After reset, oil life will change to 100 percent.

CHECK TIRE PRESSURE Message

1) CHECK TIRE PRESSURE message will come on if air pressure in one tire is lower than the other 3 tires, if tires are rotated, if tire(s) are repaired or replaced, or if air pressure is adjusted. Message will stay on until system is recalibrated. Check and adjust air pressure in all 4 tires before recalibrating system.

2) To recalibrate the system, turn ignition on with engine off. On 1997-98 models, press the GAGES button on the Driver Information Center (DIC) until TIRE PRESSURE appears on the display.

MAINTENANCE REMINDER LIGHT RESET PROCEDURES

ABC123

Entire Article
2000 Chevrolet Camaro

On 1999-2001 models, press the GAGE INFO button on the Driver Information Center (DIC) until TIRE PRESSURE appears on the display. On all models, press and hold the DIC RESET button for 5 seconds.

3) After 5 seconds the display will show TIRE PRESSURE RESET. After DIC RESET button is released, TIRE PRESSURE NORMAL will appear on display. If TIRE PRESSURE RESET does not appear on the display after 5 seconds, retry recalibration process. If after retrying recalibration process system still does not reset, repair system as necessary.

1997-2000 CHEVROLET CORVETTE

Engine Oil Life Monitor

1) The CHANGE OIL light is illuminated when its time to change engine oil, usually between 3000 and 10,000 miles since last oil change. The Driver Information Center (DIC) will display CHANGE OIL NOW when an oil change is due.

2) To reset oil life monitor, turn ignition switch to RUN position, with engine off. Press TRIP button, located on DIC switch to display OIL LIFE. Message will display percentage of oil life remaining.

3) Press and hold RESET button on DIC for at least 2 seconds. Word RESET will appear, then OIL LIFE 99. Turn ignition off.

1997-2001 BUICK CENTURY & REGAL, 1997-2001 CHEVROLET LUMINA, 1997-1999 CHEVROLET MONTE CARLO, & 1997-2001 OLDSMOBILE INTRIGUE

CHANGE OIL SOON or CHANGE OIL Light

1) Engine oil life monitor calculates engine oil temperature and engine revolutions. It indicates when the engine oil is nearly worn out. A CHANGE OIL or CHANGE OIL SOON light on the instrument cluster is illuminated when it is time to change the engine oil.

2) To reset oil life monitor on a vehicle with a Driver Information Center, go to step 4). To reset the oil life monitor on a vehicle NOT equipped with a Driver Information Center, turn ignition switch to RUN position with engine off. Depress accelerator pedal slowly to wide open throttle 3 times within 5 seconds.

3) On 1997-98 vehicles, if the CHANGE OIL or CHANGE OIL SOON light flashes 2 times, the system is reset. However, if light comes on for 5 seconds, system did not reset. Repeat reset procedure. On 1999-2001 vehicles, if the CHANGE OIL or CHANGE OIL SOON light flashes, the system is resetting. Turn ignition off. Start vehicle. If oil light comes back on and stays on, the oil life monitor has not reset. Repeat reset procedure.

4) If vehicle is equipped with a Driver Information Center (DIC), reset oil life monitor by pressing the Driver Information Center RESET button for 5 seconds while viewing the oil life display.

1997-2001 PONTIAC GRAND PRIX

Engine Oil Life Monitor

MAINTENANCE REMINDER LIGHT RESET PROCEDURES

ABC123

Entire Article
2000 Chevrolet Camaro

1) Engine oil life monitor calculates engine oil temperature and engine revolutions. It indicates when the engine oil is nearly worn out. CHANGE OIL SOON or OIL LIFE light is illuminated when it is time to change the engine oil.

2) To reset the oil life monitor on a vehicle equipped with a Driver Information Center, turn ignition switch to RUN position with engine off. Depress accelerator pedal slowly to wide open throttle 3 times within 5 seconds. If the CHANGE OIL SOON light flashes, the system is resetting. Turn ignition off. Start vehicle. If CHANGE OIL SOON light comes back on and stays on, the oil life monitor has not reset. Repeat procedure.

3) To reset the oil life monitor on a vehicle equipped with a Trip Computer, press the MODE button until the light appears lit next to OIL LIFE. Press and hold the RESET button for 3 seconds. Oil life percentage should change to 100%.

1997 PONTIAC GRAND PRIX

CHECK TIRE PRESSURE Display

1) If the Electronic Brake Control Module (EBCM) detects a tire with low pressure, it signals the Driver Information Center (DIC) to turn on the CHECK TIRE PRESSURE light. To reset the display, turn ignition on with engine off.

2) Press and hold calibrate tire pressure button for about 3 seconds. Button is under lower left part of instrument panel, to right of steering column. CHECK TIRE PRESSURE light will flash 3 times and go out.

1999-2001 BUICK CENTURY & REGAL

LOW TIRE Light

1) LOW TIRE light will come on if air pressure in one tire drops to 12 psi (kPa) less than the other 3 tires, if tires are rotated, if tire(s) are repaired or replaced, or if air pressure is adjusted. Light will stay on until ignition is turned off or RESET button is pressed. Check and adjust air pressure in all 4 tires before resetting system.

2) To reset system, turn ignition switch to ON (or RUN) position, with engine off. Press and hold Red RESET button for about 5 seconds. RESET button is located in instrument panel fuse block. Fuse block is located under cover at end of passenger's side of dash. Reset button is first button in top row of fuse block.

3) When system is reset, LOW TIRE light will come on, flash 3 times, and go off. If light does not turn off, repeat step 2). If light will not turn off, repair system as necessary.

1999-2001 CHEVROLET CAMARO & PONTIAC FIREBIRD

Engine Oil Life Monitor

1) The CHANGE OIL (or CHANGE ENGINE OIL) message is displayed when its time to change engine oil, usually between 3000 and 7500 miles since last oil change.

MAINTENANCE REMINDER LIGHT RESET PROCEDURES

ABC123

Entire Article
2000 Chevrolet Camaro

2) To reset the oil life monitor, turn the ignition switch to RUN position, with engine off. Press the TRIP/OIL RESET button on the instrument panel for 12 seconds. The OIL CHANGE light will start to flash to confirm that system is reset. Reset is complete when OIL CHANGE light goes out.

1999-2001 OLDSMOBILE ALERO & PONTIAC GRAND AM

Engine Oil Life Monitor

1) The CHANGE OIL (or CHANGE ENGINE OIL) message is displayed when its time to change engine oil, usually between 3000 and 7500 miles since last oil change.

2) To reset the engine oil life monitor, turn ignition on with engine off. Press and release the RESET button. RESET button is located inside of driver's side instrument panel fuse panel. The CHANGE OIL/CHANGE ENGINE OIL light will begin to flash. Press and release the RESET button again. Reset procedure is complete when chimes sound and light goes out.

1999-2001 OLDSMOBILE ALERO & 1999-2000 PONTIAC GRAND AM

Tire Inflation Monitor (CHECK TIRE PRESSURE Light)

1) CHECK TIRE PRESSURE light comes on if air pressure in one tire drops to 12 psi (kPa) less than the other 3 tires, if tires are rotated, if tire(s) are repaired or replaced, or if air pressure is adjusted. Light will stay on until ignition is turned off or RESET button is pressed. Check and adjust air pressure in all 4 tires before resetting system.

2) To reset tire inflation monitor, turn ignition switch on, with engine off. Press and release the RESET button. RESET button is located inside of driver's side instrument panel fuse panel. The CHANGE OIL indicator light will begin to flash.

3) Press and release the RESET button again. The CHANGE OIL indicator light will turn off, and the CHECK TIRE PRESSURE indicator light will begin to flash. While the CHECK TIRE PRESSURE indicator light is flashing, press and hold the RESET button until the chime sounds indicating system is reset. If CHECK TIRE PRESSURE light does not go out, repeat reset procedure. If system still will not reset, repair system as necessary.

1999-2001 CHEVROLET SILVERADO & GMC SIERRA

Engine Oil Life Monitor

1) The CHANGE OIL SOON (or CHANGE ENGINE OIL) light is illuminated when its time to change engine oil, usually between 3000 and 10,000 miles since last oil change.

2) To reset oil life monitor, turn ignition switch to RUN position, with engine off. Cycle accelerator pedal from closed throttle to Wide Open Throttle (WOT) 3 times within 5 seconds. On 1999-2000 models, the CHANGE OIL SOON light will flash for 2 seconds when system is reset. On 2001 models, the CHANGE OIL SOON light will flash for 5 seconds when system is reset.

MAINTENANCE REMINDER LIGHT RESET PROCEDURES

ABC123

Entire Article
2000 Chevrolet Camaro

3) If CHANGE OIL SOON light comes on and stays on for 5 seconds on 1999-2000 models, the system did not reset. Repeat reset procedures.

2000 CHEVROLET VENTURE, OLDSMOBILE SILHOUETTE & PONTIAC MONTANA

Engine Oil Life Monitor

1) The CHANGE ENGINE OIL message is displayed when its time to change engine oil, usually between 3000 and 7500 miles since last oil change. The oil change interval is not based on mileage, but on engine revolutions and engine operating temperature.

2) To reset the oil life monitor, turn the ignition on with the engine off. Fully depress and release the accelerator pedal slowly 3 times within 5 seconds. Turn ignition off. If CHANGE ENGINE OIL light flashes 2 times, oil life monitor is reset. If the CHANGE ENGINE OIL light comes back on and stays on for 5 seconds, oil life monitor has not reset. Repeat this step.

2000-2001 BUICK LESABRE

Engine Oil Life Monitor

1) Press the GAGE INFO button on the Driver Information Panel until OIL LIFE INDEX function displays. When oil life index is less than 10 percent, the display will show OIL LIFE INDEX CHANGE OIL.

2) To reset the oil life monitor, display OIL LIFE INDEX function. Press and hold the RESET button for more than 5 seconds while OIL LIFE INDEX is displayed. Oil life monitor is reset when oil life index changes to 100%.

CHECK TIRE PRESSURE Message

1) CHECK TIRE PRESSURE message will come on if air pressure in one tire is lower than the other 3 tires, if tires are rotated, if tire(s) are repaired or replaced, or if air pressure is adjusted. Message will stay on until system is recalibrated. Check and adjust air pressure in all 4 tires before recalibrating system.

2) To recalibrate the system, turn ignition on with engine off. On 2000 models, press the GAGES button on the Driver Information Center (DIC) until TIRE PRESSURE appears on the display. On 2001 models, press the GAGE INFO button on the Driver Information Center (DIC) until TIRE PRESSURE appears on the display. On all models, press and hold the DIC RESET button for 5 seconds.

3) After 5 seconds, the display will show TIRE PRESSURE RESET. After DIC RESET button is released, TIRE PRESSURE NORMAL will appear on display. If TIRE PRESSURE RESET does not appear on the display after 5 seconds, retry recalibration process. If system does not reset after trying recalibration procedures again, repair system as necessary.

2000-2001 CHEVROLET IMPALA & MONTE CARLO

Engine Oil Life Monitor (CHANGE ENGINE OIL Light)

MAINTENANCE REMINDER LIGHT RESET PROCEDURES

ABC123

Entire Article
2000 Chevrolet Camaro

1) The CHANGE ENGINE OIL message is displayed when its time to change engine oil, usually between 3000 and 7500 miles since last oil change. The oil change interval is not based on mileage, but on engine revolutions and engine operating temperature.

2) There are 2 ways to reset the engine oil life monitor. To reset the engine oil life monitor using the accelerator pedal, go to step 5). To reset the engine oil life monitor using the radio, turn the radio off. Turn ignition to ACC or ON, with the engine off. Press and hold the DISP button on the radio for at least 5 seconds until SETTINGS is displayed.

3) Press the SEEK up or down arrow to scroll through the main menu. Scroll until OIL LIFE appears on the display. Press the PREV or NEXT button to enter the submenu. RESET will be displayed.

4) Press the DISP button to reset. A chime will sound to verify the new setting and DONE will be displayed for one second. Once the message indicator has been reset, scroll through the menu until EXIT appears on the display. Press the DISP button to exit the program. A chime will sound to verify the exit.

5) To reset the engine oil life monitor using the accelerator pedal, turn ignition on with engine off. Fully depress and release the accelerator pedal slowly 3 times within 5 seconds. If CHANGE ENGINE OIL light flashes, oil life monitor is reset. If the CHANGE ENGINE OIL light comes back on and stays on, oil life monitor has not reset. Repeat reset procedure.

Tire Inflation Monitor (LOW TIRE PRESSURE Light)

1) LOW TIRE PRESSURE light comes on if air pressure in one tire drops to 12 psi (kPa) less than the other 3 tires, if tires are rotated, if tire(s) are repaired or replaced, or if air pressure is adjusted. Light will stay on until ignition is turned off or RESET button is pressed. Check and adjust air pressure in all 4 tires before resetting system.

2) There are 2 ways to reset the tire inflation monitor. To reset the tire inflation monitor using the exterior lamp controls, go to step 5). To reset tire inflation monitor using the radio, turn the radio off. Turn ignition to ACC or ON, with the engine off. Press and hold the DISP button on the radio for at least 5 seconds until settings is displayed.

3) Press the SEEK up or down arrow to scroll through the main menu. Scroll until TIRE MON appears on the display. Press the PREV or NEXT button to enter the submenu. RESET will be displayed.

4) Press the DISP button to reset. A chime will sound to verify the new setting and DONE will be displayed for one second. Once the message has been reset, scroll through the menu until EXIT appears on the display. Press the DISP button to exit the program. A chime will sound to verify the exit.

5) To reset the tire inflation monitor using the exterior lamp controls, turn exterior lamp controls from OFF to parking lamps 3 times with ignition ON.

2000-2001 PONTIAC BONNEVILLE

MAINTENANCE REMINDER LIGHT RESET PROCEDURES

ABC123

Entire Article
2000 Chevrolet Camaro

Engine Oil Life Monitor

1) Press the SELECT button on the Driver Information Panel until OIL LIFE INDEX function displays. When oil life index is less than 10 percent, the display will show ENGINE OIL CHANGE SOON.

2) To reset the oil life monitor, display OIL LIFE INDEX function. Press and hold the RESET button for more than 5 seconds while OIL LIFE INDEX is displayed. Oil life monitor is reset when oil life index changes to 100%.

CHECK TIRE PRESSURE Message

1) CHECK TIRE PRESSURE message will come on if air pressure in one tire is lower than the other 3 tires, if tires are rotated, if tire(s) are repaired or replaced, or if air pressure is adjusted. Message will stay on until system is recalibrated. Check and adjust air pressure in all 4 tires before recalibrating system.

2) If vehicle is equipped with Systems Monitor, go to step 3). To recalibrate vehicle equipped with Driver Information Center (DIC), turn ignition on with engine off. Using the MODE and SELECT button on DIC, change display until TIRE PRESSURE appears. Press and hold RESET button for 5 seconds. TIRE PRESSURE RESET should now appear on display. If TIRE PRESSURE RESET does not appear on display after 5 seconds, repair system as necessary.

3) To recalibrate vehicle equipped with Systems Monitor, turn ignition on with engine off. Press and hold TIRE PRESS RESET button for 5 seconds. TIRE PRESS light on the Systems Monitor should begin to flash. Release the TIRE PRESS RESET button. TIRE PRESS light should go out and system is now reset. If TIRE PRESS light does not begin to flash after 5 seconds, repair system as necessary.

2001 CHEVROLET CORVETTE

Engine Oil Life Monitor

1) The CHANGE OIL SOON light is illuminated when its time to change engine oil, usually between 3000 and 10,000 miles since last oil change. The Driver Information Center (DIC) will display CHANGE OIL NOW when an oil change is due.

2) To reset oil life monitor, turn ignition switch to RUN position, with engine off. Press TRIP button, located on DIC switch to display OIL LIFE. Message will display percentage of oil life remaining.

3) Press and hold RESET button on DIC for at least 2 seconds. OIL LIFE REMAIN 100% will appear. Turn ignition off.

2001 CHEVROLET SUBURBAN & TAHOE, GMC YUKON & YUKON XL

Engine Oil Life Monitor

1) The CHANGE OIL SOON light is illuminated when its time to change engine oil, usually between 3000 and 10,000 miles since last oil change.

2) To reset oil life monitor, turn ignition switch to RUN position, with engine off. Cycle accelerator pedal from closed throttle to Wide Open Throttle (WOT) 3 times within 5 seconds. If the

MAINTENANCE REMINDER LIGHT RESET PROCEDURES

ABC123

Entire Article
2000 Chevrolet Camaro

CHANGE OIL SOON light will flashes 2 times, system is reset.

3) If CHANGE OIL SOON light comes on and stays on for 5 seconds, the system did not reset. Repeat reset procedures.

2001 CHEVROLET VENTURE, OLDSMOBILE SILHOUETTE & PONTIAC MONTANA

Engine Oil Life Monitor

1) The CHANGE ENGINE OIL message is displayed when its time to change engine oil, usually between 3000 and 7500 miles since last oil change. The oil change interval is not based on mileage, but on engine revolutions and engine operating temperature.

2) To reset the oil life monitor, turn the ignition on with the engine off. Press trip/reset button repeatedly until CHANGE ENGINE OIL is displayed. Once CHANGE ENGINE OIL is displayed, press and hold trip/reset button for 5 seconds. When trip/reset button is released, OIL LIFE 100% will be displayed. Turn ignition off. If CHANGE ENGINE OIL message comes back on and stays on, oil life monitor has not reset. Repeat this procedure.

2001 OLDSMOBILE AURORA

CHANGE OIL NOW Message

1) The Driver Information Center (DIC) displays estimated percentage of the remaining useful life of engine oil. When remaining oil life is 0 percent, the display will show CHANGE OIL NOW. After changing oil, reset oil life percentage display.

2) To reset the display, turn ignition on with engine off. Press SELECT button to select OIL LIFE percentage display. Then, press and hold in RESET button for at least 5 seconds. When RESET button is released, OIL LIFE 100% will be displayed.

LOW TIRE PRESSURE Message

1) LOW TIRE PRESSURE light comes on if air pressure in one tire is lower than the other 3 tires, if tires are rotated, if tire(s) are repaired or replaced, or if tire pressure is adjusted. Light will stay on until ignition is turned off, or system is reset. Check and adjust air pressure in all 4 tires before resetting system.

2) To reset system, turn ignition on with the engine off. Press SELECT right arrow button on Driver Information Center (DIC) until GAGE mode is entered. Press the SELECT down arrow until TIRE PRESSURE is displayed.

3) Press and hold the DIC RESET button for 5 seconds. After 5 seconds, TIRE PRESSURE RESET should appear on display. After releasing the DIC RESET button, TIRE PRESSURE NORMAL should appear on display. System is now reset.

4) If TIRE PRESSURE RESET does not appear on display, repeat reset procedures. If system does not reset after trying reset procedures again, repair system as necessary.

2001 PONTIAC AZTEK

MAINTENANCE REMINDER LIGHT RESET PROCEDURES

ABC123

Entire Article
2000 Chevrolet Camaro

CHANGE ENGINE OIL Light

1) Engine oil life monitor calculates engine oil temperature and engine revolutions. It indicates when the engine oil is nearly worn out. CHANGE ENGINE OIL light on the instrument cluster is illuminated when it is time to change the engine oil.

2) To reset oil life monitor on a vehicle with a Driver Information Center (DIC), go to step 4). To reset the oil life monitor on a vehicle NOT equipped with a Driver Information Center, turn ignition switch to RUN position with engine off.

3) Depress accelerator pedal slowly from closed throttle to wide open throttle 3 times within 5 seconds. Turn ignition off. Start vehicle. If CHANGE ENGINE OIL light comes back on and stays on, the oil life monitor has not reset. Repeat reset procedure.

4) To reset oil life monitor on a vehicle equipped with a Driver Information Center (DIC), turn ignition on with engine off. Press MODE button on DIC until OIL LIFE LEFT/HOLD SET TO RESET is displayed. Press and hold SET button until 100% is displayed. Three chimes should sound and CHANGE ENGINE OIL message will go out. If CHANGE ENGINE OIL message comes back on, system has not reset. Repeat reset procedures.

END OF ARTICLE