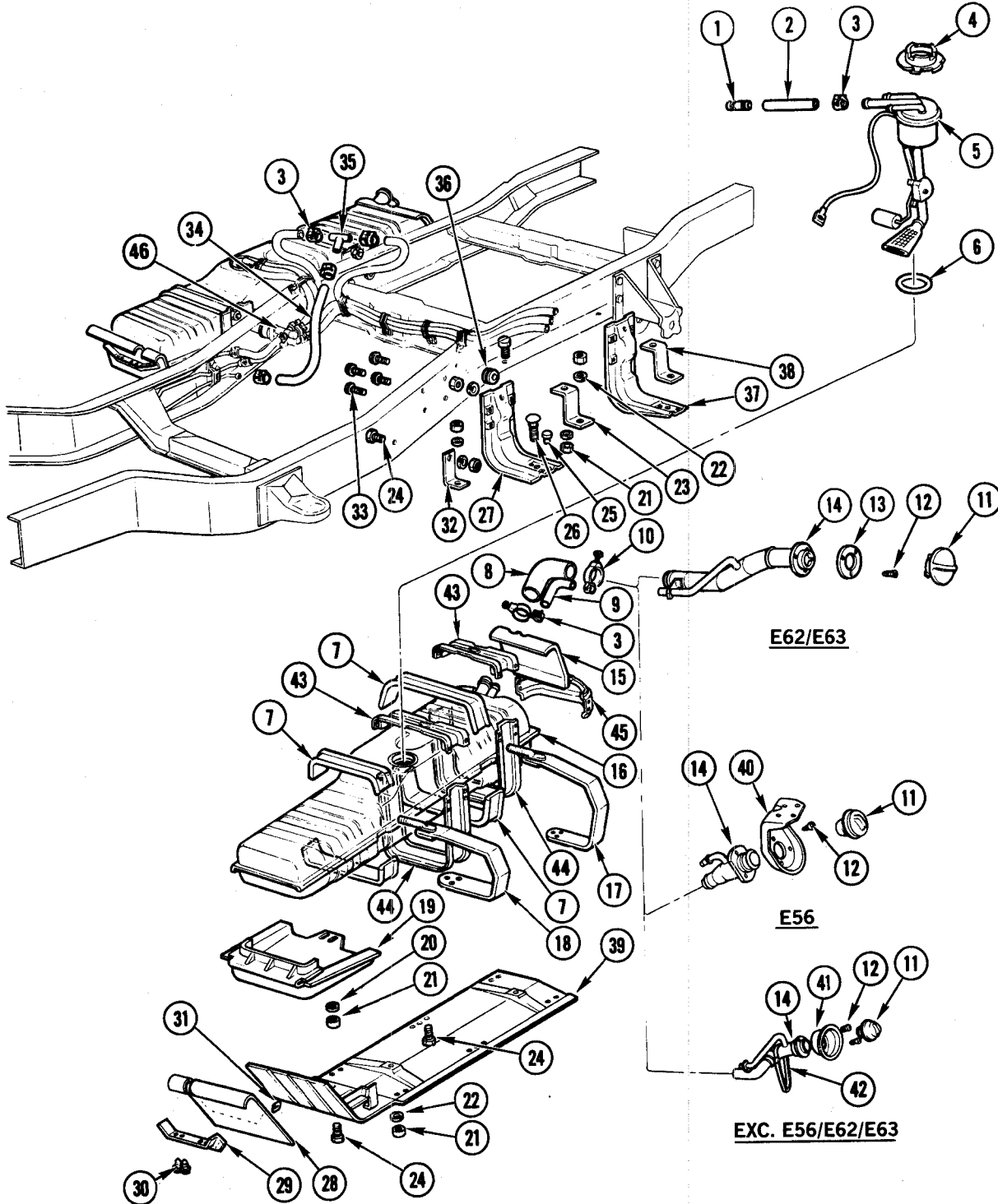


TM03-044
071482



TM03-044

1979-84 "CK(03)" BASE & AUXILIARY FUEL TANK

1979-84 "CK(03)" BASE & AUXILIARY FUEL TANK

1.	VENTILATOR ASM	3.107
2.	HOSE, Meter Asm	8.962
3.	CLAMP (1/4")	1.166
4.	CAM, Meter	3.107
5.	METER ASM, Fuel Tank	3.107
6.	GASKET, Tank Gauge	3.112
7.	ANTI-SQUEAK	N.S.
8.	HOSE, Filler Neck	3.003
9.	HOSE, Vent Pipe	3.003
10.	CLAMP, Filler Neck	1.166
11.	CAP ASM, Filler Neck	3.028
12.	SCREW (M4.2 x 1.41 x 13)	8.977
13.	GASKET, Upper Filler Neck	3.008
14.	NECK ASM, Upper	3.003
15.	SHIELD, Tank Rear	3.015
16.	TANK ASM	3.001
17.	STRAP ASM, Tank Rear	3.022
18.	STRAP ASM, Tank Front	3.022
19.	SHIELD, Fuel Tank	3.015
20.	WASHER, Flat (5/16")	8.931
21.	NUT (5/16")	8.915
22.	WASHER, Lock (3/8")	8.931
23.	BRACKET, Shield Inter-Rear	3.015
24.	BOLT (5/16"-18 x 7/8")	8.900
25.	RIVET (1/4")	N.S.
26.	BOLT, Shield (5/16"-18 x 3/4")	3.015
27.	SUPPORT ASM, Front	3.015
28.	SHIELD, Tank Front	3.015
29.	SUPPORT, Shield	3.003
30.	SCREW (1/4"-14)	8.977
31.	STAPLE, Shield	N.S.
32.	BRACKET, Shield Front	3.015
33.	BOLT, W/Con Wa (3/8"-16 x 1 1/8")	8.900
34.	HOSE (5/16")	8.962
35.	TEE, Fuel Vapor Hose	3.120
36.	GROMMET, Fuel Vapor Hose	9.775
37.	SUPPORT ASM, Rear	3.015
38.	BRACKET, Shield, Inter-Rear	3.015
39.	SHIELD ASM, Tank	3.015
40.	BRACKET, Filler Neck	3.003
41.	PLATE, Filler Neck	3.008
42.	STRAP	N.S.
43.	SHIELD, Fuel Tank Upper	3.015
44.	SHIELD, Fuel Tank Lower	3.015
45.	SHIELD, Fuel Tank Rear	3.015
46.	VALVE, Fuel Tank Sel	3.164