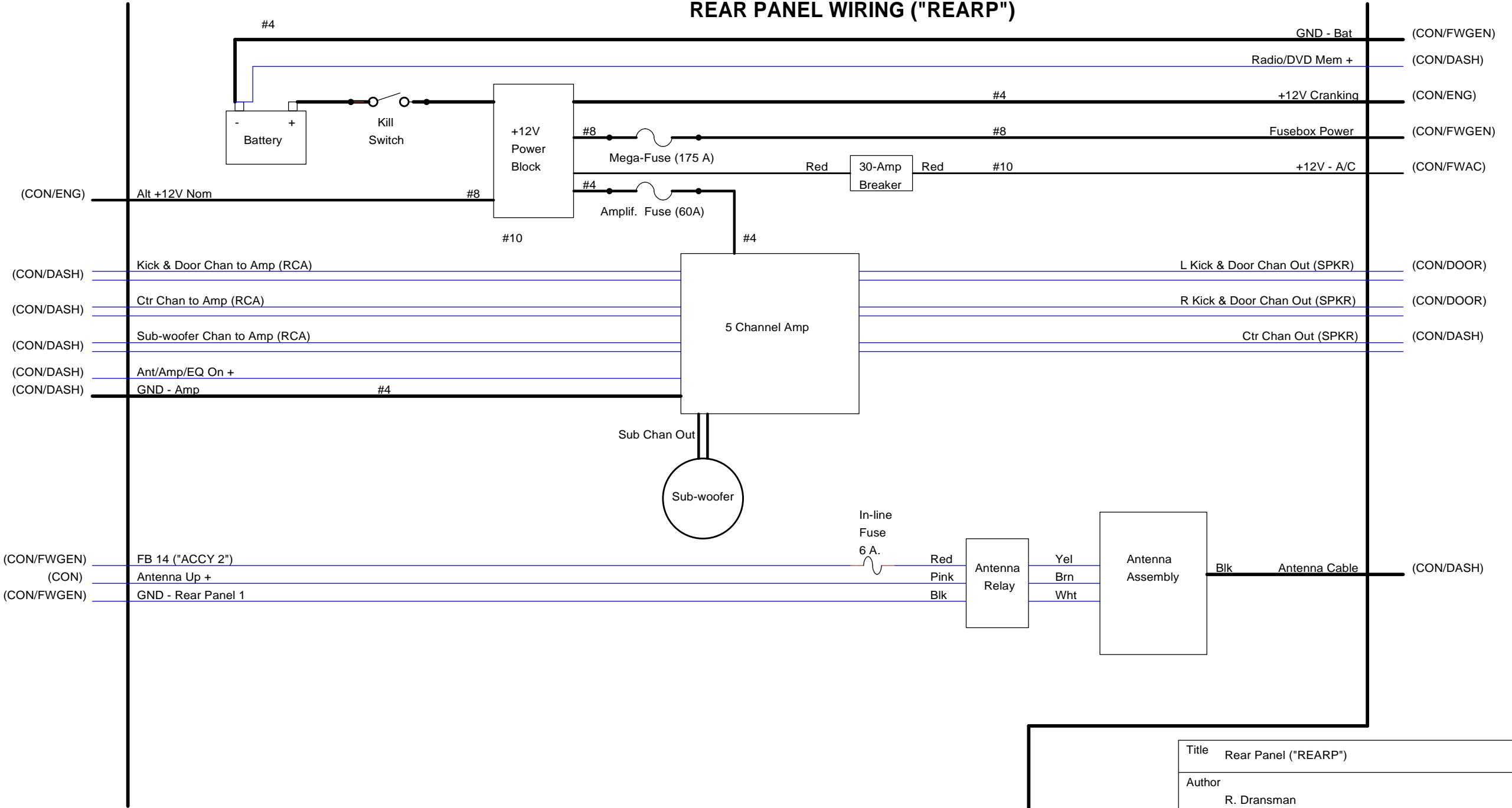


REAR PANEL WIRING ("REARP")



Title Rear Panel ("REARP")		
Author R. Dransman		
File ick\Schematics (TinyCAD)\Rear Panel 4-6-12.dsn	Document 12 of 13	
Revision 1.0	Date 4/5/12	Sheets 1 of 1