

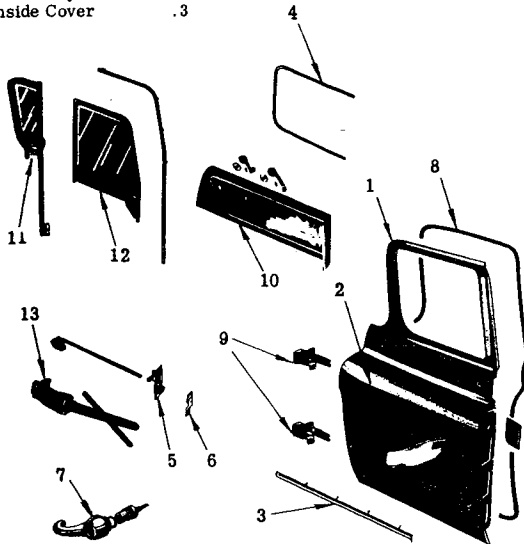
PART NUMBER SERVICE

APRIL 1, 1972

GMC TRUCK 60-66 1/2 - 3/4 & 1 TON PICK-UP PANEL & SUBURBAN

FRONT DOOR

Refinish Outside	2.2
Inside	2.0
R&I Door Assy.	.5
R&I Inside Cover	.3



1. Door Shell	60-63	3812892-1	3.6	104.80
	64-66	3860766-5	3.6	104.80
2. Panel, Outer	60-63	3753452-1	5.0	33.00
	64-66 Rt. (Chev. No.)	3884044	5.0	27.10
	64-66 Lt. (Chev. No.)	3884043	5.0	27.10
3. Mldg., Side	60-61	3768840	.3	3.18
	62-66	3778959	.3	4.31
4. Mldg., Reveal	62-63	2424342-1		7.05
	64-66	2451297-6		7.55
Mirror, Outside Head		2234128	Disc.	1.70
Arm	Rt. (Chev. No.)	3816678	1.95	1.95
	Lt. (Chev. No.)	3816677	1.95	1.95
5. Lock Assy.	60-63	3771546-5	.5	7.10
	64-66	3865418-7	.5	7.10
6. Striker Plate	60-63	2378641-0	.2	2.36
	64	3794874-3	.2	1.59
	65-66	3865424-3	.2	1.44
Cyl. & Keys		2378723	.8	4.00
7. Handle, Outside R/L		3778247	.4	4.61
Handle, Inside R/L		3848873	.2	2.87
Handle, Regulator R/L		3702164	.2	3.38
8. Weatherstrip, Door Opening on Body R/L		3767156	.5	6.15
9. Hinge, Upper or Lower		3757648-7	.6	5.15
10. Panel, Inside Trim	60-63	3753586-5	.3	8.80
	64-66	3794738-7	.3	9.35
11. Ventilator, Less Glass				
60-63 Painted (Chev. No.)		3757704-3	.7	21.55
60-63 Chrome (Chev. No.)		3769102-1	Disc.	18.65
64-66 Painted (Chev. No.)		3794824-3	.7	19.65
Glass, Vent	C 60-63	2320T (6x16)	.5	USE
	T			
	C 64-66	2495T (8x16)	.5	GLASS
	T			
Glass, Door	C 60-63	4289T (18x20)	1.2	PRICE
	T			
	C 64-66	4438T (18x24)	1.2	LIST
	T			
Weatherstrip, Vent	60-63	3757730-29		2.87
	64-66	3794816-5		2.97
12. Channel, Lower Sash	60-63	3757640-39		2.87
	64-66	3794891		2.41
Channel, Upper Sash				
Painted	R/L (60-63)	3757645	1.2	4.77
Chrome	R/L (60-63)	3769100	Disc.	7.10
	64-66 Painted	3794909	1.2	4.61
13. Regulator, Glass	60-63	3757830-29	1.0	10.00
	64-66	3833542-1	1.0	9.35

SEAT GUIDES

Adjuster, Front Seat			
Cabs	Rt.	3892050	.8 12.35
	Lt.	3892043	.8 13.35
Panel	Rt.	3892042	.4 10.45
	Lt.	3766641	Disc. .4 11.95
Suburban	Rt.	3892048	.4 7.70
	Lt.	3892047	.4 12.60

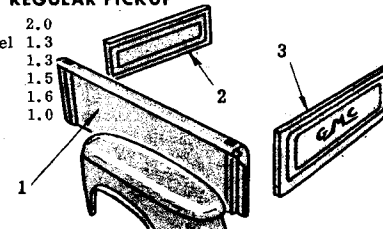
REAR FENDER & RUNNING BOARD

Refinish Fender	1.1		
Running Board	.5		
Fender, Rear			
Right		3711542	1.2 43.70
Left Std.		3711541	1.2 43.70
Left w/Side Tire Mount			
w/Short W/Base		3722269	1.2 49.30
w/Long W/Base		3722333	1.2 49.30
Brace, Fender			
Front (4)		3720239	.82
Side (2)		3720243	.72
Running Board			
1/2 Ton 115" W.B.		3721940-39	.7 7.60
1/2 & 3/4 127" W.B.		3765914-3	.7 12.80
1 Ton		3765916-5	.5 10.00
Brace, Running Board to Frame except		3817498	.62
1 Ton		3860617	1.08

PICK-UP BED

Refinish Side Panel Outer	2.0		
Add for Inner Panel	1.3		
Front	1.3		
Gate	1.5		
Fender	1.6		
w/Lettering	1.0		
1. Panel, Bed Side			
1/2 Ton, 6-1/2 Ft.	Rt.	3910252	3.5 56.70
	Lt.	3910251	3.5 56.70
1/2 & 3/4, 8 Ft.			
1 Ton		3770316-5	4.0 62.80
		3770044-3	4.0 68.30
2. Panel, Bed Front		3765769	2.5 16.25
3. End Gate		2452075	.5 35.45
Hinge, Trunnion		3752548	.77
Chain		3753033	2.26

REGULAR PICKUP



WIDE SIDE PICKUP

Refinish Side Outer Panel			
Add for Inner Panel	1.3		
Long Bed	3.0		
Short Bed	2.5		
Front	1.3		
Gate	1.5		
w/Lettering add	1.0		
1. Panel, Bed Side			
1/2 Ton 6-1/2 Ft.		3860646-5	4.0 93.95
1/2 & 3/4 Ton 8 Ft.	Rt.	3860652	4.3 96.90
	Lt.	3860651	4.3 96.90
2. Extension, Rear		3761210-09	2.0 8.60
3. Mldg., Panel Outside			
60-61 6-1/2 Ft.		2394828	5.50
8 Ft.		2394829	6.40
62-66 6-1/2 Ft.		3778948	8.05
8 Ft.		3778954	8.90
4. Panel, Front	60-66	3860640	3.5 22.55
5. Wheelhouse		3763139	17.10
6. End Gate		2369327	.5 44.85
Hinge, Trunnion		3810706	.51
Chain		3753033	2.26

